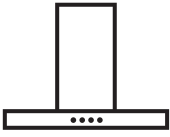


EFC635SAR
EFC636GAR
EFC735SAR
EFC736GAR
EFC935SAR
EFC936GAR



EN Cooker hood
CN 抽油烟机
IN Tudung asap
TH เครื่องดูดควัน
VN Hướng dẫn sử dụng

User Manual 2
用户手册 14
Manual bagi pengguna 26
คู่มือการใช้งาน 38
Máy hút mùi 50

WE'RE THINKING OF YOU

Thank you for purchasing an Electrolux appliance. You've chosen a product that brings with it decades of professional experience and innovation. Ingenious and stylish, it has been designed with you in mind. So whenever you use it, you can be safe in the knowledge that you'll get great results every time. Welcome to Electrolux.

BEFORE USING YOUR APPLIANCE

Before you use the rangehood, we recommend that you read through the whole user manual which provides the description of the rangehood and its functions. To avoid the risks that are always present when you use an electrical appliance, it is important that the rangehood is installed correctly and that you read the safety instructions carefully to avoid misuse and hazards.

For future reference, please store this booklet in a safe place.

CONDITIONS OF USE

This appliance is intended to be used in household and similar applications such as

- Staff kitchen areas in shops, offices and other working environments
- Farm houses
- By clients in hotels, motels and other residential type environments
- Bed and breakfast type environments

BEFORE YOU CALL

Please ensure you read the instruction manual fully before you call for service, or a full service fee could be applicable.

RECORD MODEL AND SERIAL NUMBER HERE:

Model: _____

Serial NO: _____

CONTENTS

- 3 Safety information
- 4 Product description
- 5 Dimensions
- 6 Rangehood installation
- 9 Using the rangehood
- 10 Maintenance and cleaning
- 11 Troubleshooting
- 12 Consumer Care Center

LEGEND



WARNING!
This symbol indicates information concerning your personal safety



CAUTIONS!
This symbol indicates information on how to avoid damaging the rangehood.



IMPORTANT!
This symbol indicates tips and information about use of the rangehood.



ENVIRONMENT!
This symbol indicates tips and information about economical and ecological use of the rangehood.



If at any time in future you need to dispose of this product please do Not dispose of this product with household waste, please send this product to collecting points where available

This product is RoHS compliant.

SAFETY INFORMATION

This manual explains the proper use of your new Electrolux canopy rangehood. Please read this manual carefully before using the product. This manual should be kept in a safe place for handy reference.

This rangehood is a domestic appliance which has been manufactured and tested to comply with International Standard IEC 60335.2.31.

Read the following carefully to avoid damage or injury.

This symbol indicates never to do this

This symbol indicates always do this



WARNING!
Follow these instructions carefully to avoid an electric shock or fire.

- Young children should be supervised to ensure they do not play with the rangehood.
- This appliance is not intended for use by persons (including children) with reduced physical, sensory or mental capabilities, or lack of experience and knowledge, unless they have been given supervision or instruction concerning the use of the appliance by a person responsible for their safety.
- Ensure the rangehood is switched off before carrying out maintenance, to avoid any possibility of electric shock.
- Never carry out flambe cooking under the rangehood.
- This rangehood is not recommended for barbecues.
- This rangehood cannot be installed for external use.
- Grease filters must be removed every four weeks (maximum) for cleaning to reduce the risk of fire.
- The exhaust from the rangehood must not be discharged into any heating flue, which may carry combustion products from other sources. (Fig.1)
- The exhaust air must not be discharged into a wall cavity, unless the cavity is designed for the purpose.
- There must be adequate ventilation of the room when the rangehood is used at the same time as appliances burning gas or other fuels.
- Always cover lit gas burners with pots or pans when rangehood is in use.
- Always switch off gas burners before you remove pots or pans.
- Do not leave lit gas burners exposed due to the risk of fire. (Fig.2)

Electrical connection

Check that the mains voltage matches with the voltage on the data plate inside the rangehood. Check that the installation complies with standards of local building, gas and electrical authorities. Before connecting to the mains supply ensure that the mains voltage corresponds to the voltage on the rating plate inside the rangehood. If the supply cord is damaged, it must be replaced by the manufacturer or its service agent or similarly qualified person in order to avoid a hazard.

Safety warnings For the installer

When installing the rangehood, make sure you adhere to the minimum and maximum distances from the rangehood base to the hob surface (as per table on page 6).

Exhaust flue installation: The following rules must be strictly followed to obtain optimal air extraction.

- Keep exhaust flue short and straight
- Do not reduce the size or restrict exhaust flue.
- Keep bends in the exhaust flue to a minimum.
- When using flexible flue always install duct with helix pulled taut to minimise pressure loss.
- Failure to observe these basic instructions will drastically reduce the performance and increase the noise levels of the range hood.

Exhaust air must not be discharged into a wall cavity, unless the cavity is designed for the purpose. The exhaust from the cooker hood must not be discharged into any heating flue, which may carry combustion products from other sources.

NOTE: Some installations may require the telescopic exhaust cover to be cut to length. Cut with sharp tin snips or a fine-tooth hack saw blade, taking care not to distort or dent the exhaust cover.

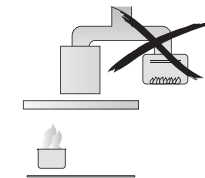


Fig. 1

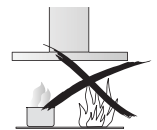


Fig. 2

PRODUCT DESCRIPTION

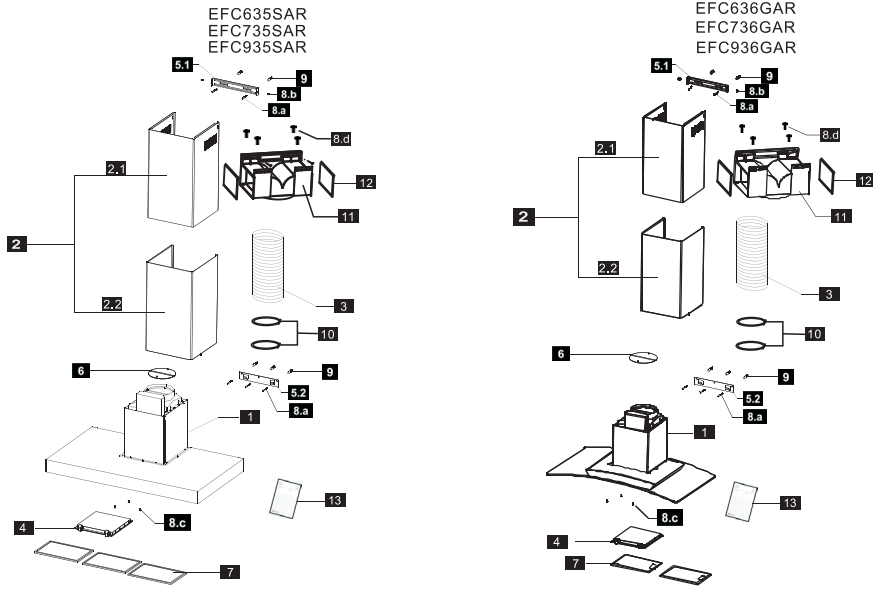


Fig.3

COMPONENTS

Ref	Qty	Product Components
1	1pc	Hood body, complete with: controls, lights, blower
2	1set	Flue Cover sections
2.1	1pc	Inner Flue Cover
2.2	1pc	Outer Flue Cover
3	1pc	Aluminum Exhaust Transition Duct
4	1pc	Charcoal filter (optional)
5.1	1pc	Flue Cover Mounting Bracket
5.2	1pc	Hood Mounting Bracket
6	1set	Damper (flaps)
7	2/3 pcs	Aluminium mesh filter
8.a	7pcs	Mounting Screws (ST 5 X 50MM)
8.b	2pcs	Flue cover Mounting Bracket Screws (M 4 X 10 MM)
8.c	3pcs	Flue cover bottom Fixing Screws (ST 4 X10 MM)
8.d	4pcs	Recirculating T-pieces screws
9	7pcs	Drywall Anchors
10	2pcs	Duct Fixing ring
11	1set	Recirculating T-pieces
12	2pcs	T-pieces sponge
13	1pc	Instruction manual

DIMENSIONS

EFC935SAR
EFC735SAR
EFC635SAR

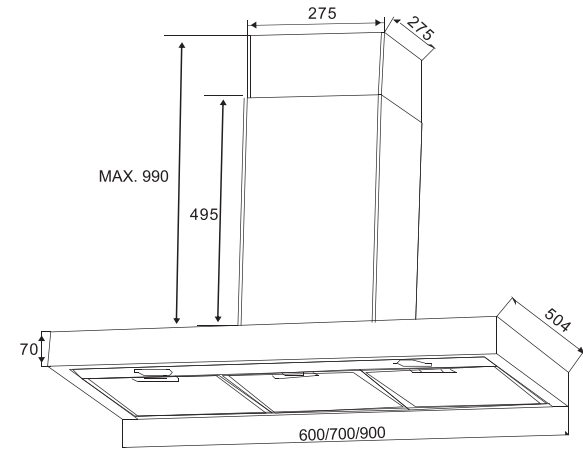
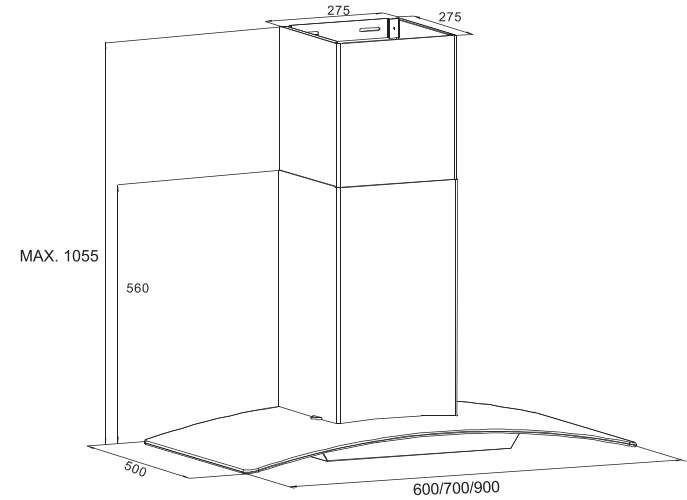


Fig.4

EFC936GAR
EFC736GAR
EFC636GAR



RANGEHOOD INSATLLATION

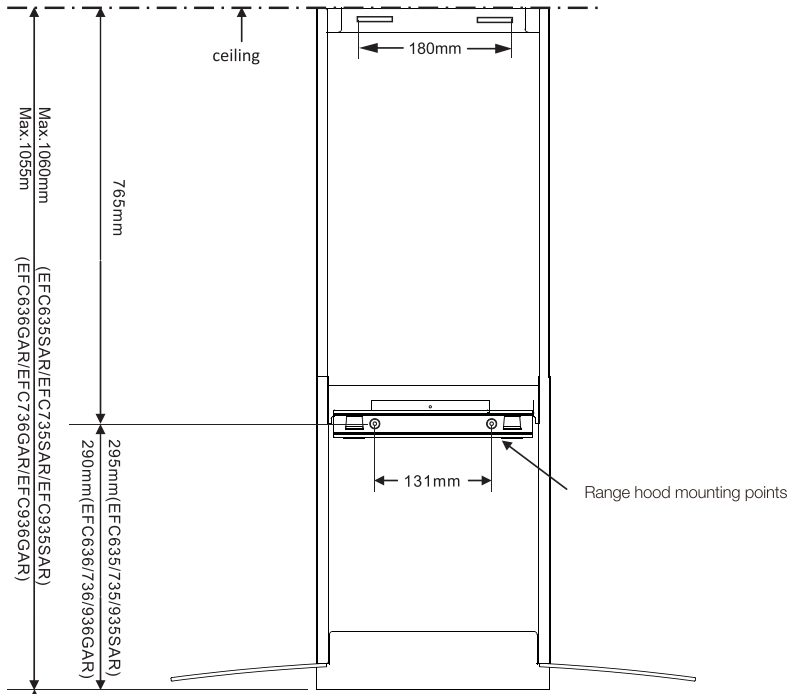
WARNING!

Refer to "Safety information" chapter

BEFORE INSTALLATION

Before the installation of the appliance, record the information below from the rating plate. The rating plate is on the bottom of the appliance casing.

Model _____
 PNC _____
 Serial number _____



Cooktop type	DIM.A	
	minimum*	maximum
Gas	650mm	800mm
Electric	650mm	800mm

WARNING!

Failure to install the screws or fixing device in accordance with these instructions may result in electrical hazards

Top of hob Fig6

- Using a spirit level mark a vertical centre line on the wall where the cooker hood is to be positioned, and a horizontal line at the cooker hood base position (refer diagram below).

NOTE: The height of the underside of the hood body must be a minimum of 650mm* to a maximum height of 800mm

* If the instructions of the hob specify a greater distance than the minimum above, then that shall be the minimum height for installation.

- Mark the location for flue cover wall mounting brackets and cooker hood mounting points above the hood base as the reference point (Fig. 6).

RANGEHOOD INSATLLATION (CONTINUED)

- Install the flue cover mounting and wall brackets with screws to the wall as marked (Fig.7). Please mounted recirculating T pieces together with flue cover bracket if recirculating mode is used. (Fig.9)

Depending on the preferred installation/ducting mode, follow step 5a or 5b below.

5a. Recirculating mode (Fig. 9).

According to the flue cover dimension, Fix the T-piece by 4 screws supplied. adhesive two sponge to the outlet of T-piece as shown (Fig.9)
 Using the centre line, secure the recirculating T-piece and Chimney mounting bracket to the wall. Install flexible pipe between T-piece and flue transition duct. Use fixing ring to secure flexible pipe to T-Piece and transition duct.(Fig.11)

NOTE: When installed in recirculating mode, it is recommended to use a carbon filter to prevent odours being emitted back into the room.

5b. Ducted mode (Fig 10.)

Fit the flexible flue to the duct transition(Fig.10). Use fixing rings to secure flexible pipe to the duct transition.

NOTE: For ducted mode, we recommend extending flue pipe through the roof to external" roof cap" to vent exhaust externally. We do not recommend venting into ceiling cavity.

NOTE: To ensure optimum performance of the rangehood, the use of rigid ducting is recommended. the use of bends should be avoided. All ducting must be fire retardant.

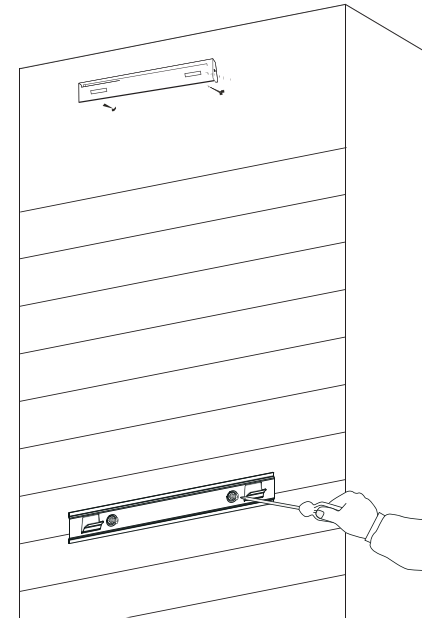


Fig7

- Remove protective plastic film, if present, from the hood body and hang on the wall bracket.

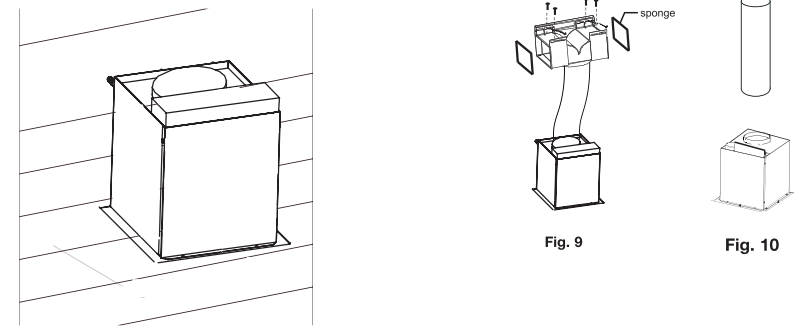


Fig. 8

RANGEHOOD INSATLLATION(CONT)

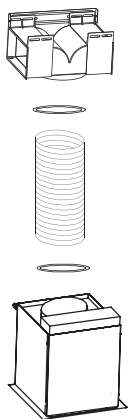


Fig. 11

6. Electrical connection

- Electrical wiring must be done by a qualified person(s) in accordance with all applicable codes and standards. Turn off electrical power at service entrance before wiring.
- If the power cord is damaged, it must be replaced by manufacturer, its agent or similarly qualified persons in order to avoid hazard.
- Do not use the plug and an extension cord other than the ones initially supplied with the hoods.
- The earthing of this hood is compulsory. Do not remove the ground prong of the plug.

7. Installation of telescopic flue covers

Separate the flue covers section. Carefully reassemble the upper and lower flue covers sections by sliding the inner into the outer flue cover. Fix the outer flue cover with screws(Fig12.) Carefully lower the assembled upper and lower flue covers onto the top of cooker hood body. Fix upper flue cover to the mounting bracket with screws supplied. Ensure that the upper section is extended.

NOTE: Carefully remove the plastic protective coating, if present, from the flue covers. Pay particular attention when removing protective plastic coating from decals.

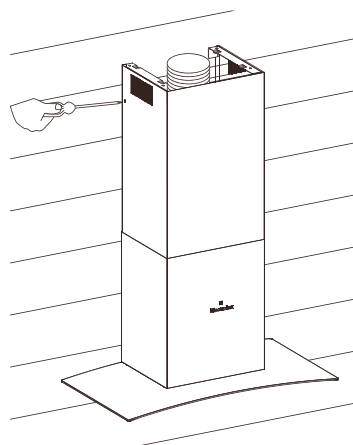
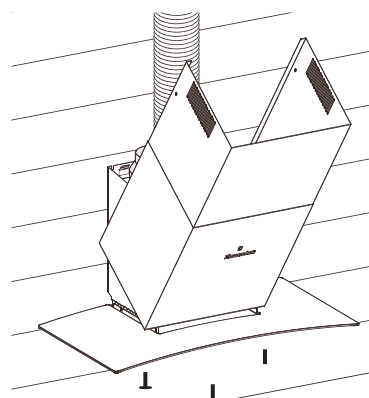


Fig.12

Your Electrolux rangehood is now ready to use

USING THE RANGEHOOD

EFC935SAR EFC936GAR
EFC635SAR EFC636GAR



EFC735SAR EFC736GAR



Standby mode

When connecting the rangehood to the power supply for the first time or after power is returned after power outage all symbols on the control panel will light up and a "beep" will sound once. Following this, the control panel goes to standby mode and the rangehood will be ready for use.

Turning on hood

When the rangehood is in standby mode, user can either press the fan or light button to turn on the fan or light individually. The default factory level is 2, following that, the rangehood remembers the last used setting and will start at that level when the user presses the fan or light button.

Fan – select speed to suit cooking conditions

- ☞ (ⓘ) – Fan on/off
- 1 (☞) – light frying/boiling
- 2 (☞) – frying/work cooking/heavy boiling
- 3 (☞) – grilling, intensive frying and work cooking
- ☞ – Light

MAINTENANCE AND CLEANING

⚠ CAUTION!

- Before maintenance or cleaning is carried out, the rangehood should be disconnected from the main power supply. Ensure that the rangehood is switched off at the wall socket and the plug removed if fitted.
- External surface are susceptible to scratches and abrasions, so please follow the cleaning instructions to ensure the best possible result is achieved without damage.
- These instructions must be followed to avoid a fire risk.

Stainless steel surface

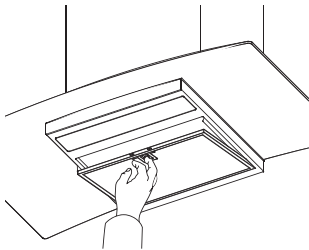
Clean stainless steel surface using non-abrasive cleaning products that specifically for use on stainless steel. To ensure best results also use an even pressure and follow the grain of the stainless steel. Use of a soft cloth reduces the risk of scratching. If the cloth is wet ensure that a dry soft cloth is used to wipe down the surface again reducing the risk of any surface rust appearing.

Control panel surface

The control panel can be cleaned using warm soapy water. Ensure the cloth is well wrung before cleaning. Use a dry soft cloth to remove any excess moisture left after cleaning.

Removing the metal grease filters

Push the grease filter towards the left side of the unit and then pull it down.



Hand washing

The mesh filters can be cleaned by hand in warm soapy water. Soak in warm water and some washing up liquid. For stubborn grease stains use a soft nylon brush to help remove these stains. After cleaning ensure that the filters are completely dry before refitting.

Dishwasher

Place grease filters in the dishwasher. Select the most powerful washing program and highest temperature, at least 65. Refit the grease filters when they are dry. When washing the metal grease filter in the dishwasher a slight discolouration of the filter can be occur, this does not have any impact on its performance.

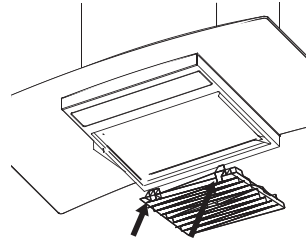
Changing the lamps

Lamps are long life LED lamps and should not require service. If there is an issue with lamp please contact the Service Center, Service contact details shown on page 12.

Charcoal filter

- The charcoal filter should only be used if you want to use the cooker hood in the recirculating mode.
- This filter cannot be cleaned or re-used end as general rule, the activated charcoal filter should be changed one every 3 months.

To fit the filter, lock it until stop click is heard Pulling out each latch, tilt the filter down and remove



- Always specify the cooker hood model code number and serial number when ordering replacement filters. This information is shown on the registration plate located on the inside of this unit.
- Replacement charcoal filters can be ordered from your local Spare Parts centre, contact details are shown on page 12.

TROUBLESHOOTING

Problem	Remedy
The cooker hood will not start	Check that the hood is connected to an electrical supply Check that a fan speed has been selected
The Rangehood is not working	Check that the fan speed is set high enough for the task The grease filters are clean The kitchen is adequately vented to allow the entry of fresh air If set up for recirculation, check that the charcoal filter is still effective If set up for extraction, check that the duct and outlets are not blocked Do not operate cooktop without pots/pans Do not flambe under cooktop
The rangehood has switched off during operation	The safety cut-out device has been tripped-turn off the hob and wait for the device to reset. If the hood has been installed below the heights indicated in the installation instructions the motor will cut out frequently which will damage the hood

If you have completed all the above checks and are still experiencing difficulty, please contact your local Electrolux Service Centre.

Note: This product is fitted with a safety cutout device.

- If the rangehood is installed too close to the cooker top, flambe cooking, operating the cooktop without cooking utensils and blocked filters may activate the safety cutout device. If the hood stops during operation, correct the faults and allow time for the safety cutout device to reset. Then the rangehood will function correctly.

- Do not operate cooktop without pots/pans
- Do not flambe under cooktop

CONSUMER CARE CENTER

<p>Thailand Call Center Tel : (+66 2) 725 9000 Electrolux Thailand Co.,Ltd. Electrolux Building 14th Floor 1910 New Petchburi Road, Bangkapi,Huay Kwang, Bangkok 10310 Office Tel : (+66 2) 7259100 Office Fax : (+66 2) 7259299 Email : customercarethai@electrolux.com</p>	<p>Singapore CONSUMER CARE HOTLINE : (+65) 6727 3699 Electrolux S.E.A. Pte Ltd. 1 Fusionopolis Place, #07-10 Galaxis, West Lobby Singapore 138522. Office Fax : (+65) 67273611 Email : customer-care.sin@electrolux.com</p>
<p>Indonesia Hotline service: 08041119999 PT. Electrolux Indonesia Electrolux Building Jl.Abdul Muis No.34, Petojo Selatan, Gambir Jakarta Pusat 10160 Email:customer-care@electrolux.co.id SMS & WA : 0812.8088.8863</p>	<p>Philippines Domestic Toll Free : 1-800-10-845-care 2273 Customer Care Hotline : (+63 2) 845 care 2273 Electrolux Philippines, Inc. 10th Floor. W5th Avenue Building 5th Avenue Corner 32nd Street Bonifacio Global City, Taguig Philippines 1634 Trunkline: +63 2 737- 4756 Website : www.electrolux.com.ph Email : wecare@electrolux.com</p>
<p>Vietnam Domestic Toll Free : 1800-58-88-99 Tel : (+84 8) 3910 5465 Electrolux Vietnam Ltd. Floor 9th, A&B Tower 76 Le Lai street – Ben Thanh Ward – District 1 Ho Chi Minh City , Vietnam Office Tel : (+84 8) 3910 5465 Office Fax : (+84 8) 3910 5470 Email : vncare@electrolux.com</p>	<p>Malaysia Domestic Toll Free: 1300-88-11-22 Electrolux Home Appliances Sdn. Bhd. Corporate Office Address: 7th Floor, Tower 2, Jaya 33, No. 3 Jalan Semangat, Seksyen 13, 46100 Petaling Jaya, Selangor. Corporate Office Tel: (+60 3) 7843 5999 Corporate Office Fax: (+60 3) 7955 5511</p>
<p>Hongkong Tel: (+852) 8203 0298 Dah Chong Hong, Ltd. – Service Centre 8/F., Yee Lim Godown Block C 2-28 Kwai Lok Street, Kwai Chung, N.T. Hong Kong</p>	<p>Consumer Care Center Address: Lot C6, No. 28, Jalan 15/22, Taman Perindustrian Tiang Nam, 40200 Shah Alam, Selangor Consumer Care Center Tel:(+60 3) 5525 0800 Consumer Care Center Fax:(+60 3) 5524 2521 Email: malaysia.customer-care@electrolux.com</p>

www.electrolux.com

The Thoughtful Design Innovator.

Do you remember the last time you opened a gift that made you say, “Oh! How did you know? That’s exactly what I wanted!” That’s the kind of feeling that we at Electrolux seek to evoke in everyone who chooses or uses one of our products. We devote time, knowledge, and a great deal of thought to anticipating and creating the kind of appliances that our customers really need and want.

This kind of thoughtful care means innovating with insight. Not design for design’s sake, but design for the user’s sake. For us, thoughtful design means making appliances easier to use and tasks more enjoyable to perform, freeing our customers to experience the ultimate 21st century luxury: ease of mind. Our aim is to make this ease of mind more available to more people in more parts of their everyday lives, all over the world.

The “Thinking of you” promise from Electrolux goes beyond meeting the needs of today’s consumers. It also means we’re committed to making appliances safe for the environment—now and for future generations.

Electrolux. Thinking of you.

Share more of our thinking at
www.electrolux.com

我们每时每刻把你放在心上

感谢购买伊莱克斯产品.你选择的产品会给您带来数十年专业的经验和创新.独创和时尚的设计使你终身难忘。因此，无论你何时使用它，每一次你都会很满意的结果。欢迎来到伊莱克斯。

产品使用前

使用抽油烟机前，我们建议你阅读整本用户手册，它写明了抽油烟机的描述和功能。为避免在使用过程中的危险，正确安装抽油烟机是非常重要的并且为了避免使用不当和危害，请仔细阅读安全说明。

为将来需要,请妥善保存这本手册.

使用条件

- 该产品适用于室内和如以下类似用途商店，办公室和其他工作环境的个人厨房区域
- 农场房屋
- 酒店，宾馆和其他民用形式的环境
- 住宿和早餐类型环境

在你打电话前

在打电话要求维修前，请务必全部阅读完用户手册否则全额维修费用是可以适用的。

记下产品型号和序列号:

型号: _____

序列号: _____

目录

- 15 安全信息
- 16 产品描述
- 17 产品尺寸
- 18 安装说明
- 21 使用说明
- 22 维修清洁
- 23 故障排除
- 24 售后中心

图例说明



警告!

该标志提示涉及你个人安全的信息



注意!

该标志提示如何避免损坏抽油烟机的信息



重要!

该标志提示关于抽油烟机的使用贴士和信息



环境!

该标志提示关于抽油烟机的使用环境保护

RoHS
Compliant.

将来你要丢弃该产品时,请不要与生活废品放在一起丢弃. 请将该产品送到附近收集点.

本产品符合RoHS指令

安全信息

本手册阐述伊莱克斯抽油烟机正确的使用方法。在使用该产品前请仔细阅读本手册。并妥善保存好用户手册。

这款抽油烟机产品属于一款家用产品，按照国际标准 IEC 60335.2.31生产和测试。

为避免损坏或受伤，仔细阅读以下：



这标志提示不要这么做



这标志提示要一直这么做



警告!

为避免触电和起火，认真遵守以下指示：

- ⊘ 监督儿童确保不能让他们单独玩耍抽油烟机
- ⊘ 为安全起见，本产品不适合有身体和心理有缺陷或缺乏知识和经验的人群（包含儿童）使用，除非他们在监护人的监督或指导下操作
- ⊘ 为避免触电危险，在进行维修前，请先断开电源
- ⊘ 不要在烟机底下明火直接烧
- ⊘ 本烟机不推荐在烧烤环境下使用。
- ⊘ 本烟机不能安装在室外使用
- ⊘ 为降低起火危险，最多每隔4周必须把油脂过滤网换下来清洁
- ⊘ 由烟机排放的废气不能够排放到取暖烟管中，这会导致烟机起火燃烧(Fig.1)
- ⊘ 废气不能直接排放到墙身空腔中，除非空腔专门设计用来收集废气
- ⊘ 与其他燃气或燃料产品一起使用时，必须保证房间内有足够的空气流通
- ⊘ 烟机使用时，必须用平底锅或水壶放在燃气炉上。
- ⊘ 在移开平底锅或水壶前，必须先关掉燃气炉
- ⊘ 为避免起火危险，不要把点燃燃气炉裸露在外。(Fig.2)

电源连接

检查主电源电压是否匹配贴在烟机里面铭牌电压参数。确认安装要符合当地建筑，燃气，和电气等机构的规定。接通主电源前确认供电电源电压跟烟机铭牌上电压参数一致。如果电源线损坏了，为避免危险，必须由生产厂家或厂家售后服务代理和相关专业人员来更换。

安装人员安全警告

安装抽油烟机时，确保安装高度符合第6页中表格所列烟机底端到灶具表面最小距离和最大距离。

排气管道的安装：必须严格遵守以下准则来获取最佳排气效果：

- 尽量保持排气管道短而且直
- 不要减小排气管道的尺寸
- 尽量小弯曲排气管道
- 安装伸缩风管时，请锁紧风管与出风口来减小风压损失

没有按照以上基本的安装指示会使烟机的性能大幅下降并且会提高噪音水平。

废气不能直接排放到墙身空腔中，除非空腔专门设计用来收集废气.由烟机排放的废气不能够排放到取暖烟管中，这会导致烟机起火燃烧。

注意：一些安装可能需要把伸缩风管切除来缩短长度.请用铁剪刀或者细齿锯来剪.过程中不要把伸缩风管弄变形或者扭曲。

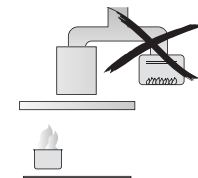
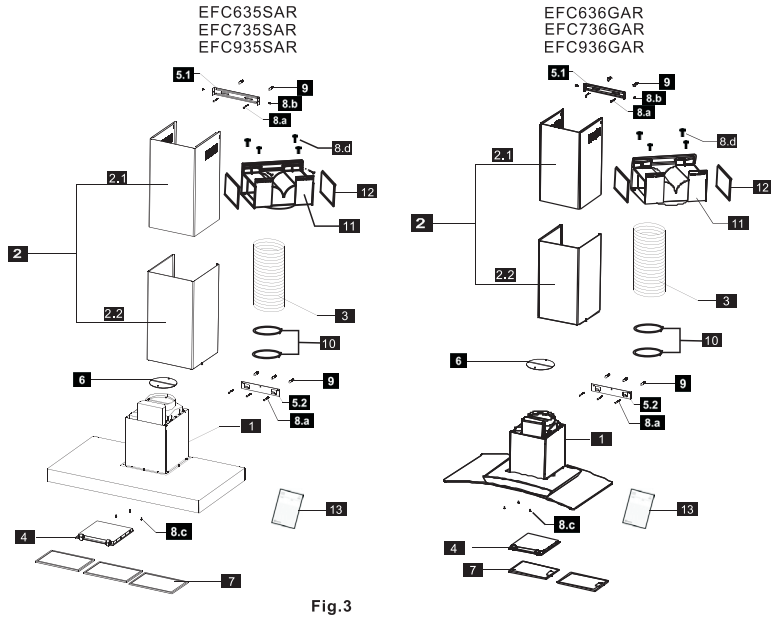


Fig. 1



Fig. 2

产品描述

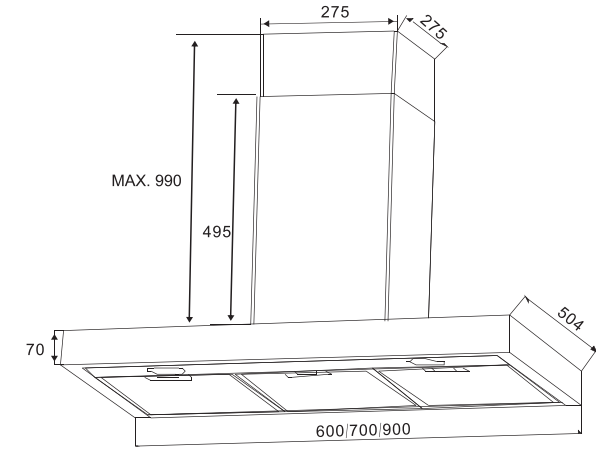


零件

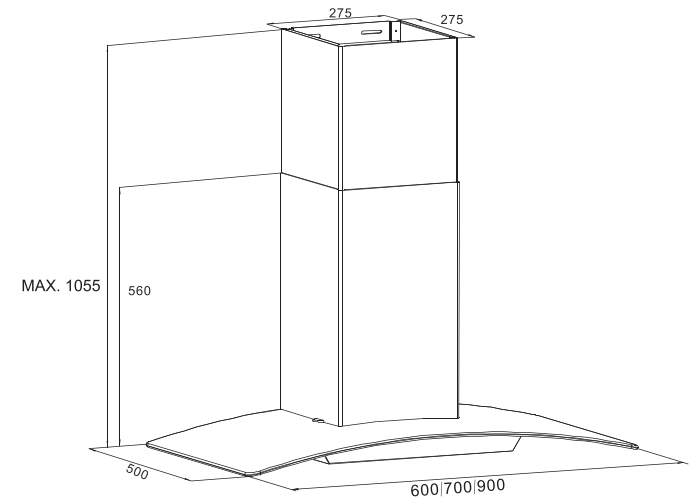
序号	数量	零件
1	1pc	主体, 含灯, 风柜, 开关等
2	1set	装饰风管罩
2.1	1pc	内装饰风管罩
2.2	1pc	外装饰风管罩
3	1pc	铝伸缩风管
4	1pc	活性炭过滤网
5.1	1pc	装饰风柜罩挂架
5.2	1pc	烟机挂架
6	1set	挡风片
7	2/3 pcs	铝合金过滤网
8.a	7pcs	安装螺丝 (ST 5 X 50MM)
8.b	2pcs	风管罩固定螺丝 (M 4 X 10 MM)
8.c	3pcs	风管罩底部固定螺丝 (ST 4 X10 MM)
8.d	4pcs	T内循环装置安装螺钉
9	7pcs	膨胀胶粒
10	2pcs	伸缩风管固定紧圈
11	1set	T内循环装置
12	2pcs	T内循环装置密封条
13	1pc	用户手册

产品尺寸

EFC935SAR
EFC735SAR
EFC635SAR



EFC936GAR
EFC736GAR
EFC636GAR



烟机安装

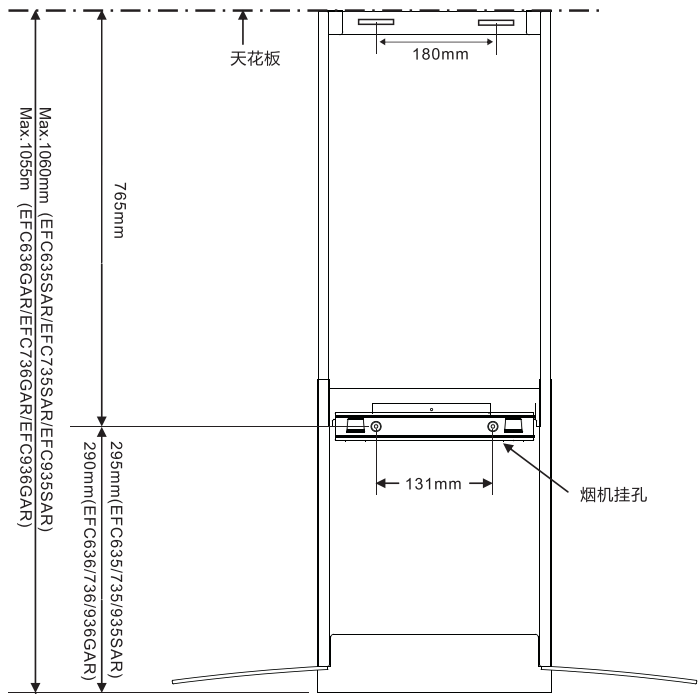


警告!
请参考“安全信息”章节



安装前!
安装烟机前, 根据烟机底部内的参数铭牌记录下烟机的信息。

型号 _____
PNC _____
序列号 _____



灶具类型	DIM.A	
	最小*	最大
燃气	650mm	800mm
电灶	650mm	800mm



警告!
没能按照该手册的指示正确安装螺丝和本烟机可能会导致电气事故。

灶具顶部

1. 用水平仪在烟机安装的位置的墙上画一条垂直的和一条水平相交中心线。

注意: 烟机底部到灶台顶部的高度必须是至少650mm*到最大800mm。

* 如果灶具的安装说明中明确说明安装高度比以上说明的还要大得多, 请按照灶具的安装说明的高度来安装。

2. 根据图6指示, 标记下装饰风管罩和烟机挂孔的位置。

图6

烟机安装 (继续)

3. 按图7所示, 把装饰风管罩挂架和烟机挂架固定在墙上, 根据以下5a和5b的步骤, 选择想要的安装方法和排气模式。如果使用内循环模式, 请按图9所示, 把T内循环装置和装饰风管挂架也一起安装到墙上。

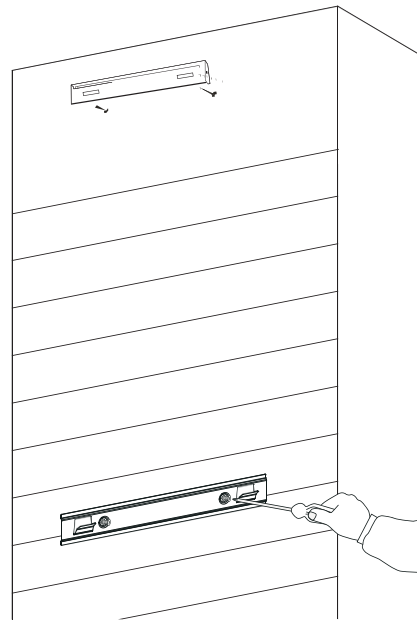


图7

4. 去掉烟机上面的保护膜, 并把烟机挂在烟机挂架中

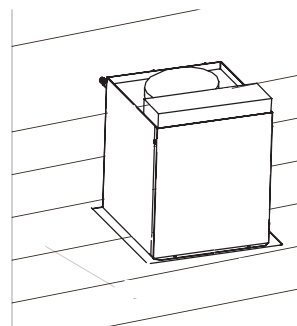


图8

5a. 内循环模式 (图9)

使用中心线, 把风管挂架和T装置固定到墙上, 按图11所示, 用伸缩风管连接T装置和出风口, 并用固定圈锁紧连接处。

注意: 使用内循环模式时, 建议使用活性炭过滤网来净化空气, 防止有味气体排放到室内。

5b. 外排模式 (图10)

按图10所示, 安装伸缩风管到出风口上, 并用固定圈锁紧连接处。

注意: 为保证烟机最佳性能, 推荐使用刚性的风管, 尽量避免弯曲。所有的风管必须防火的。

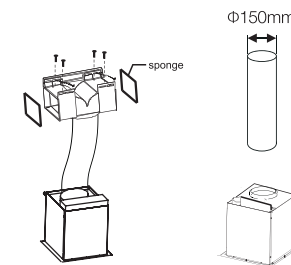


图9

图10

烟机安装(继续)

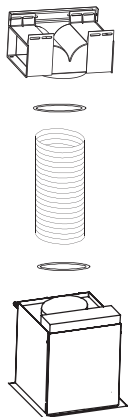


图11

6. 电气连接

- 电气接线必须由专业的人员按照适用的代码和标准完成。接线前，必须关掉电源。
- 如果电源线损坏，为避免电气危险，必须有厂家或他的代理机构或相关的专业人员替换。
- 不要使用并非随机附带的插头和延长电源线。
- 本烟机强制接地要求。不要拆除插头上接地极

7. 安装装饰风管罩

分开上下风管罩。小心地把内风管罩慢慢插入外风管中重新装起来，图12所示，把下风管罩用螺丝固定在箱体上，根据实际调节两节风管罩。最后把上风管罩固定在风管罩挂架上。确保的是，上风管罩可以延长。

注意：当风管罩有保护膜时，请小心移除保护膜。当移除在贴花纸上的保护膜时，请格外小心注意。

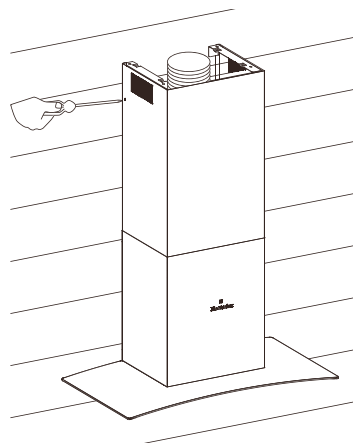
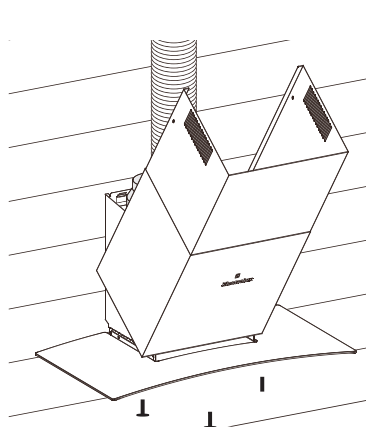


图12

你的伊莱克斯烟机现在可以使用了

烟机使用

EFC935SAR EFC936GAR
EFC635SAR EFC636GAR



EFC735SAR EFC736GAR



待机模式

当第一次接通电源时，控制面板上的丝印图标会全部点亮并且会有“哔”的一声。这样烟机就已经在待机状态下，代表可以随时使用。

打开烟机

当烟机在待机状态时，用户可以按下 ⓪ 或 ☼ 键来单独打开照明灯或电机。烟机默认档位为2档，用户可以设置相应的档位并且烟机有记忆功能，在下次启动时会自动以用户上一次使用时设置的档位启动。

档位 - 根据烹饪条件，选择适当的风量档位匹配

- ⓪ - 档位开/关
- 1 (☼) - 微炒/轻度沸腾
- 2 (☼) - 油煎/重度沸腾
- 3 (☼) - 爆炒
- ☼ - 照明灯

清洁与维修



注意!

- 在进行维修或清洁前,烟机应该切断电源,确保烟机电源线和插头(如果有装插头)与电源插座断开。
- 烟机外表面比较容易刮花和碰伤,请遵照以下清洁指示来确保产品没有受损。
- 请务必遵守以下指示来避免起火危险。

不锈钢表面

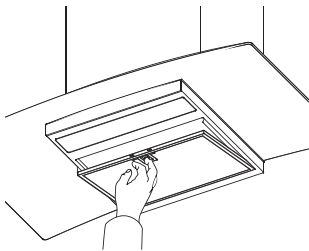
请使用专门用来擦不锈钢,非粗糙抹布来清洁不锈钢表面,为达到最好效果,请使用均匀的力顺着磨砂纹路来清洁,使用柔软抹布来降低刮花的危险,如果湿抹布清洁后,请用干抹布来在拭擦一次来降低表面生锈可能。

控制面板表面

控制面板可以使用温和的肥皂水来清洁,清洁前请确保抹布拧干,清洁完后,使用柔软的干抹布抹干多余的水分。

取金属油脂过滤网

用手按下滤网的扣手后把滤网往下拉,这样就可以把滤网取下来



手洗

这金属过滤网可以用温肥皂水来手洗,过滤网浸泡在温肥皂水中,对于顽固的油污可以使用尼龙刷子来刷掉,清洁完毕后确保过滤网完全干了后才装回到烟机上。

洗碗机

把滤网放进洗碗机中,选择最强力和最高温度(至小65度)的模式重复一次整个过程,滤网干后重新装回,使用洗碗机洗滤网可能会有轻微的变色发生,但这不会影响滤网的性能。

LED灯更换

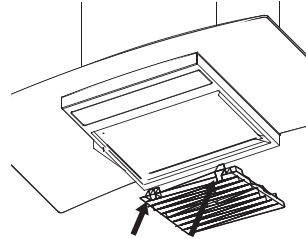
照明灯是寿命很长的LED灯,应该不需要维修,如果LED灯有任何问题,请联系售后维护中心,售后维护联系信息在第24页

活性炭过滤网

- 活性炭过滤网只用在内循环模式上。
- 活性炭过滤网是可以清洗并且可以重复使用,活性炭过滤网应该每三个月更换一次。

安装活性炭过滤网:把活性炭放好往里推,直到两个扣手扣住箱体。

取活性炭过滤网:把两个扣手往里推下拉就可以取出



- 当要求更换滤网时,一定要标明烟机的型号和序列号,这信息在烟机里面的铭牌标贴有写明
- 可以要求当地的售后维修中心来更换活性炭过滤网,联系信息请看第24页

故障排除

问题	对策
烟机不能启动	检查有没有接通电源 检查档位是否选择了
烟机不起作用	检查档位是否可以满足当前使用条件 滤网要清洁 保证室内有足够的空气流通 如果是内循环模式确认活性炭是否没有用 如果设置外排模式,确认排烟管有没有堵塞 灶具上不能没有平锅/水壶 底下不能明火烤
烟机在使用过程中突然关掉	安全切断装置把切断电源,要等待其复位才可以使用。 如果烟机安装高度没有按照本手册中的高度来安装导致频繁切断电源,这会对电机有损害。

如果你已经对以上的步骤进行了检查了依然存在问题,请联系伊莱克斯售后服务中心。

注意:该产品安装有安全保护装置

- 如果烟机的安装高度太接近灶具的话,起火烹饪,烹饪时灶具上没有任何器具和过滤网堵塞会导致安全保护装置启动。如果烟机在使用过程中突然停止。改正错误的操作,等待安全保护装置复位,这样烟机就能正常工作。
- 不要在灶具上没有锅壶情况下工作;
- 不要在灶具面明火燃烧。

客户服务中心

<p>泰国 电话: (+66 2) 725 9000 泰国 Electrolux 有限公司 14th Floor, 1910 New Petchburi Road Bangkapi, Huay Kwang Bangkok 10320</p>	<p>越南 免费电话: 1800-58-88-99 电话: (+84 8) 3910 5465 越南 Electrolux 有限公司 AB Tower, 9th Floor 76 Le Lai Street, District 1 Ho Chi Minh City</p>
<p>印度尼西亚 电话: 08041119999 印度尼西亚 Electrolux 公司 Electrolux Building Jl.Abdul Muis No.34, Petojo Selatan, Gambir Jakarta Pusat 10160 Email:customer@electrolux.co.id SMS & WA: 0812.8088.8863</p>	<p>菲律宾 国内免费电话: 1-800-10-845-转 2273 客户服务热线: (+63 2) 845 转 2273 10th Floor, W5th Avenue Building 5th Avenue Corner 32nd Street Bonifacio Global City, Taguig Philippines 1634 Trunkline: +63 2 737- 4756</p>
<p>新加坡 电话: (+65) 6727 3699 传真: (+65) 6727 3611 e-mail: customer-care.sin@electrolux.com Electrolux S.E.A私人有限公司 1 Fusionopolis Place, #07-10 Galaxis, West Lobby Singapore 138522.</p>	<p>马来西亚 Corporate Office Address: 7th Floor, Tower 2, Jaya 33, No. 3 Jalan Semangat, Seksyen 13, 46100 Petaling Jaya, Selangor. Corporate Office Tel: (+60 3) 7843 5999 Corporate Office Fax: (+60 3) 7955 5511 国内免费电话: 1300-88-11-22 电话: (+60 3) 5525 0800 传真: (+60 3) 5524 2521 e-mail: malaysia.customer@electrolux.com Electrolux 家用电器有限公司 Lot C6, No. 28, Jalan 15/22, Taman Perindustrian Tiong Nam, 40200 Shah Alam, Selangor</p>

www.electrolux.com

贴心设计理念的创新先锋

您是否还记得上次您打开一份称心礼物时的喜悦，“噢！你怎么知道这正是我想要的礼物呢！”这正是我们伊莱克斯想要唤起每个选择或使用我们产品的客户的心声。我们投入了大量的时间、精力和创新理念去发明生产我们的客户真正需要的电器产品。

这种贴心的关怀是指洞察力的创新。不是为设计而设计，而是为用户而设计。对于我们来说，贴心设计是指让我们的电器使用起来更加容易，操作起来更令人愉快，让我们的客户可以自由地享受到二十一世纪的终极奢侈体验：省心。我们的目标是让全世界更多的人们在日常生活中的方方面面更加省心。

伊莱克斯“为您着想”的承诺不仅仅意味着满足现在的客户的要求，也同时意味着我们将一直致力于让我们的电器满足现在及将来的环境安全的要求。

伊莱克斯 为您着想

欲了解更多 伊莱克斯 理念，请访问

www.electrolux.com

KAMI MEMIKIRKAN ANDA

Terima kasih telah membeli peralatan rumah tangga Electrolux. Anda telah memilih suatu produk yang disertai dengan puluhan tahun pengalaman profesional dan inovasi. Cerdas dan bergaya, produk ini dirancang dengan mempertimbangkan anda. Jadi bila anda menggunakannya, anda akan merasa tenang dengan menyadari bahwa anda akan mendapatkan hasil yang luar biasa setiap saat. Selamat datang di Electrolux.

SEBELUM MENGGUNAKAN TUDUNG ASAP ANDA

Sebelum menggunakan tudung asap, kami menganjurkan agar anda membaca keseluruhan manual bagi pengguna yang menyediakan penjelasan mengenai tudung asap dan fungsi-fungsinya. Untuk menghindari risiko-risiko yang selalu ada saat menggunakan peralatan listrik, adalah penting agar tudung asap dipasang dengan benar dan anda membaca petunjuk keselamatan dengan seksama untuk menghindari kesalahan pemakaian dan risiko bahaya.

Untuk rujukan lebih lanjut, harap simpan buku ini di tempat yang aman.

KONDISI PENGGUNAAN

Tudung asap ini ditujukan untuk penggunaan di rumah tangga dan aplikasi serupa seperti:

- Daerah dapur staf di toko-toko, kantor, atau lingkungan kerja lainnya
- Rumah pertanian
- Oleh para klien di hotel, motel, serta lingkungan residensial jenis lainnya.
- Lingkungan tempat istirahat dan makan

SEBELUM MENELEPON

Pastikan anda telah membaca buku petunjuk hingga tuntas sebelum menelepon untuk mendapatkan layanan. Bila tidak, anda bisa dikenakan biaya normal.

CATATLAH MODEL DAN NOMOR SERI DI SINI:

Model: _____

Nomor Seri: _____

DAFTAR ISI

- 27 **Petunjuk Keselamatan yang Penting**
- 28 **Deskripsi produk**
- 29 **Dimensi**
- 30 **Instalasi tudung asap**
- 33 **Penggunaan tudung asap**
- 34 **Perawatan dan pembersihan**
- 35 **Penelusuran masalah**
- 36 **Pusat Layanan Konsumen**

KETERANGAN

! PERINGATAN!

Simbol ini menandakan informasi mengenai keselamatan diri anda.

! PERHATIAN!

Simbol ini menandakan informasi mengenai cara menghindari kerusakan pada tudung asap.

i PENTING!

Simbol ini menandakan saran dan informasi mengenai penggunaan tudung asap.

🌿 LINGKUNGAN!

Simbol ini menandakan saran dan informasi mengenai penggunaan tudung asap secara ekonomis dan ekologis.

RoHS Compliant.

Bila suatu saat produk ini tidak digunakan lagi, jangan membuangnya bersama sampah rumah tangga. Harap kirimkan produk ini ke tempat pengumpulan bila tersedia.

Produk ini memenuhi persyaratan RoHS.

INFORMASI MENGENAI KESELAMATAN

Manual ini menjelaskan penggunaan yang tudung asap Electrolux baru anda secara wajar. Harap baca manual ini dengan seksama sebelum menggunakan produk ini. Manual ini hendaknya disimpan di tempat yang aman agar mudah diambil bila diperlukan.

Tudung asap ini merupakan peralatan rumah tangga yang telah dibuat dan diuji hingga memenuhi Standar Internasional IEC 60355.2.31.

Bacalah hal-hal berikut untuk menghindari kerusakan atau cedera.

⚠️ **Simbol ini menandakan hal yang tidak boleh dilakukan.**

✅ **Simbol ini menunjukkan hal-hal yang harus dilakukan.**

! PERINGATAN!

Ikutilah petunjuk-petunjuk ini dengan seksama untuk menghindari sengatan listrik atau kebakaran.

⚠️ Anak kecil harus diawasi untuk memastikan mereka tidak bermain-main dengan tudung asap.

⚠️ Alat ini tidak ditujukan untuk digunakan oleh orang-orang (termasuk anak-anak) yang memiliki kekurangan kemampuan fisik, sensorik, atau mental, atau kurang pengalaman dan pengetahuan, kecuali kepada mereka telah diberikan pengawasan atau petunjuk mengenai penggunaan alat oleh orang yang bertanggung jawab atas keselamatan mereka.

✅ Pastikan tudung asap ini telah dimatikan sebelum melaksanakan perawatan lampu untuk menghindari kemungkinan sengatan listrik.

⚠️ Jangan sekali-kali memasak makanan dengan api besar di bawah tudung asap.

⚠️ Tudung asap ini tidak dianjurkan untuk barbeku.

⚠️ Tudung asap ini tidak bisa dipasang untuk penggunaan luar ruangan.

✅ Penyaring lemak harus dilepas setiap empat minggu (maksimum) untuk pembersihan untuk mengurangi risiko kebakaran.

⚠️ Gas buang dari tudung asap tidak boleh dibuang ke saluran gas asap panas lain yang mungkin membawa produk pembakaran dari sumber-sumber lainnya. (Gambar 1)

⚠️ Gas buang tidak boleh dibuang ke lubang di dinding, kecuali lubang tersebut memang dirancang untuk maksud tersebut.

✅ Bila tudung asap digunakan pada saat yang sama dengan alat lain yang juga menggunakan gas atau bahan bakar lainnya, harus terdapat ventilasi yang cukup dalam ruangan tersebut.

✅ Saat tudung asap digunakan, di atas tungku gas yang menyala harus selalu terdapat panci atau kuali.

✅ Selalu matikan tungku gas sebelum panci atau kuali diangkat.

⚠️ Hindarkan tungku gas menyala tanpa ditutup alat memasak karena risiko kebakaran. (Gambar 2)

Sambungan kelistrikan

Periksalah untuk memastikan voltase jaringan listrik sesuai dengan voltase pada label data di dalam tudung asap. Pastikan instalasi telah sesuai dengan standar otoritas bangunan, gas, dan kelistrikan setempat. Sebelum disambungkan ke jaringan listrik, pastikan voltase jaringan listrik sesuai dengan voltase pada label alat di dalam tudung asap. Bila kabel listrik rusak, kabel hanya boleh diganti oleh Electrolux, agen servisnya, atau orang yang berkualifikasi serupa untuk menghindari bahaya.

Peringatan mengenai keselamatan - Bagi instalatir

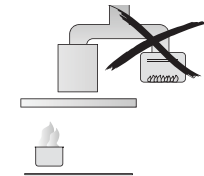
Saat memasang tudung asap, pastikan untuk mematuhi jarak minimum dan maksimum dari alas tudung asap ke permukaan tungku (sesuai tabel di halaman 6).

Instalasi saluran gas asap: Aturan-aturan berikut harus diikuti dengan ketat untuk mendapatkan tarikan udara yang optimal.

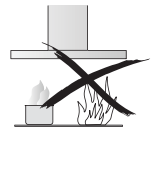
- Jagalah agar saluran gas asap berukuran pendek dan lurus
- Jangan mengurangi ukuran saluran atau menghalangi aliran dalam saluran gas asap.
- Jagalah agar belokan pada saluran gas asap tetap minimum.
- Saat menggunakan saluran fleksibel, selalu pasang saluran dengan selang heliksnya terpasang erat untuk meminimalkan rugi tekanan.
- Tidak terpenuhinya petunjuk dasar ini akan sangat mengurangi kinerja dan meningkatkan tingkat kebisingan tudung asap.

Gas buang tidak boleh dibuang ke lubang di dinding, kecuali lubang tersebut memang dirancang untuk maksud tersebut. Gas buang dari tudung asap tidak boleh dibuang ke saluran gas asap panas lain yang mungkin membawa produk pembakaran dari sumber-sumber lainnya.

CATATAN: Beberapa instalasi mungkin memerlukan tutup lubang buang teleskopik dipotong sesuai panjang yang diperlukan. Potonglah dengan gunting plat atau gergaji besi bermata halus yang tajam, dengan berhati-hati agar tidak menusuk atau menimbulkan lekukan pada tutup saluran buang.

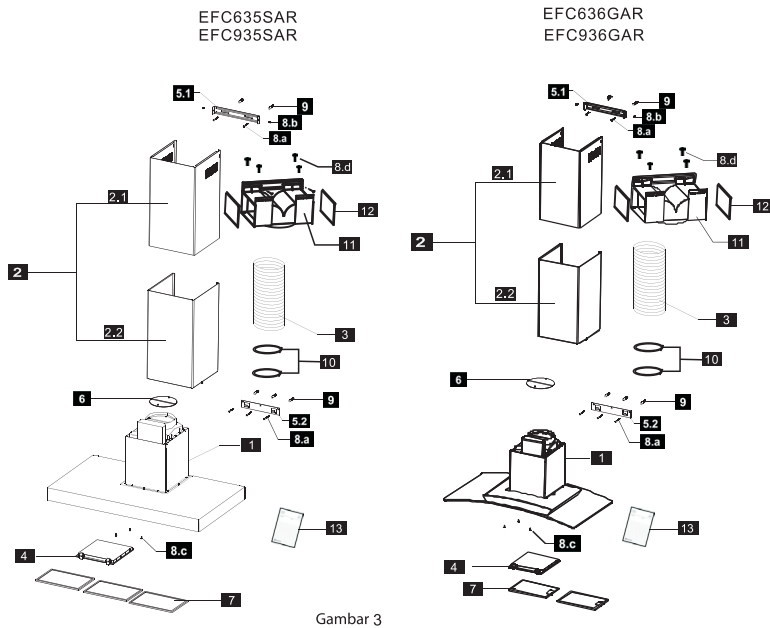


Gambar 1



Gambar 2

DESKRIPSI PRODUK

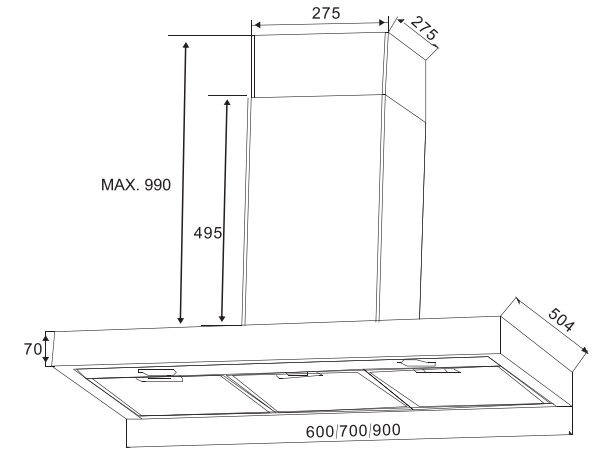


KOMPONEN

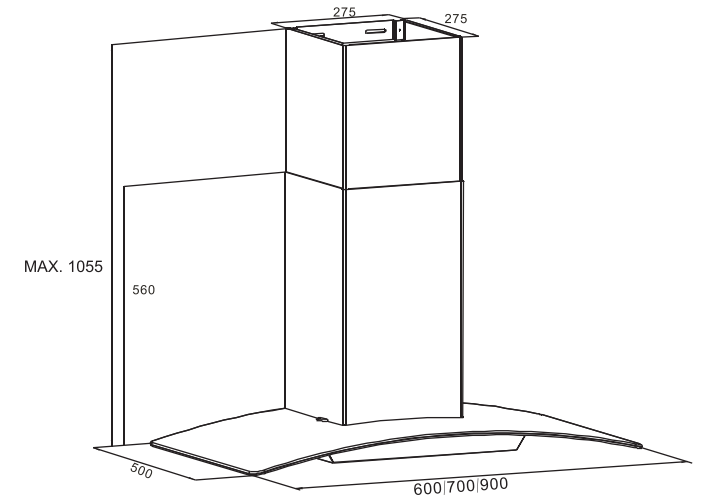
Referensi	Jumlah	Komponen tudung asap
1	1 buah	Badan tudung asap, lengkap dengan: kontrol, lampu, kipas.
2	1 set	Bagian Tutup Saluran Gas Asap
2.1	1 buah	Selubung Dalam Saluran Gas Asap
2.2	1 buah	Selubung Luar Saluran Gas Asap
3	1 buah	Saluran Transisi Gas Aluminium
4	1 buah	Penyaring karbon (opsional)
5.1	1 buah	Braket Dudukan Tutup Saluran Gas Asap
5.2	1 buah	Braket Dudukan Tudung Asap
6	1 buah	Katup (Sirip) Penutup
7	2 / 3 buah	Penyaring kasa aluminium
8.a	7 buah	Sekrup Pengunci (ST 5 x 50 mm)
8.b	2 buah	Sekrup Braket Dudukan Tutup Saluran Gas Asap (M4 x 10 mm)
8.c	3 buah	Sekrup Pengunci Bagian Bawah Tutup Saluran Gas Asap (ST4 x 10 mm)
8.d	4 buah	Baut T- sirkulasi
9	7 buah	Selongsong Sekrup untuk Dinding
10	2 buah	Cincin Pengunci Saluran
11	1 set	Cabang T Resirkulasi
12	2 buah	Busa / Spon T
13	1 buah	Buku Petunjuk

DIMENSI

EFC935SAR
EFC735SAR
EFC635SAR



EFC936GAR
EFC736GAR
EFC636GAR



INSTALASI TUDUNG ASAP

PERINGATAN!
Lihat bab "Informasi mengenai keselamatan".

SEBELUM MEMULAI INSTALASI

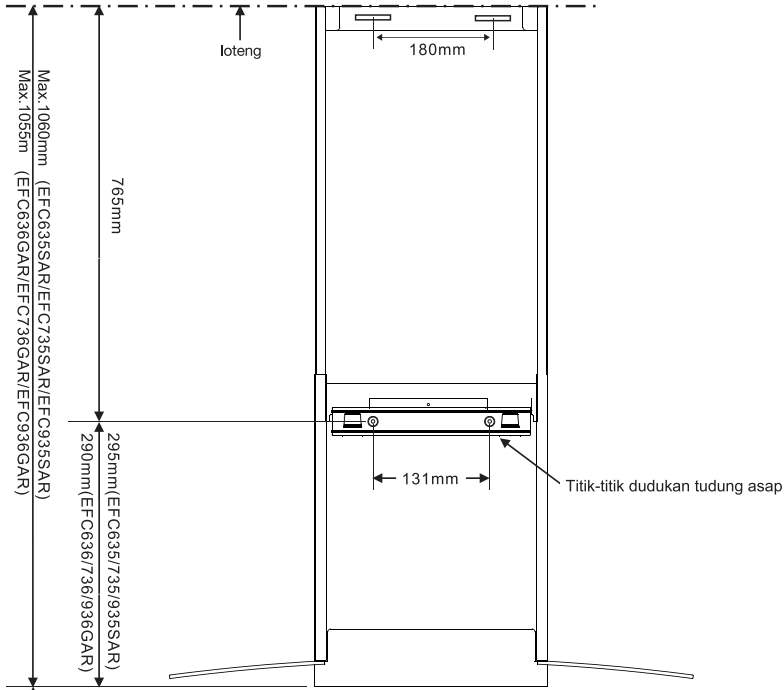
Sebelum memasang tudung asap, catatlah informasi di bawah ini dari label tudung asap. Label tersebut terdapat di bawah badan tudung asap.

Model _____
PNC _____
Nomor seri _____

1. Dengan menggunakan waterpas, buat tanda satu garis pusat vertikal di dinding tempat tudung asap akan ditempatkan
2. Tandailah lokasi di dinding untuk braket dudukan tutup saluran gas asap dan titik posisi dudukan tudung asap dari ujung atas tudung asap yang menjadi titik acuan (Gambar 6).

CATATAN: Jarak minimum dan maksimum dari sisi bawah tudung asap hingga kompor haruslah antara 650 mm* dan 800 mm.

* Bila buku petunjuk kompor menetapkan jarak yang lebih besar dari minimum di atas, maka petunjuk dari kompor merupakan tinggi minimum untuk instalasi.



Jenis kompor	DIM.A	
	minimum*	maksimum
Gas	650mm	800mm
Listrik	650mm	800mm

PERINGATAN!
Tidak terpasangnya sekrup atau komponen pengunci sesuai petunjuk ini dapat menyebabkan bahaya listrik

Sisi atas kompor Gambar 6

INSTALASI TUDUNG ASAP (LANJUTAN)

3. Pasanglah braket dudukan tutup dan braket dudukan dinding untuk tudung asap dengan sekrup pada dinding sebagaimana ditandai (Gambar 7). Pasang cabang T untuk resirkulasi bersama braket tutup saluran gas asap bila menggunakan mode resirkulasi (Gambar 9).

Tergantung pada mode instalasi /pengaliran gas yang diinginkan, ikuti langkah 5a atau 5b di bawah ini.

5a. Mode resirkulasi (Gambar 9).

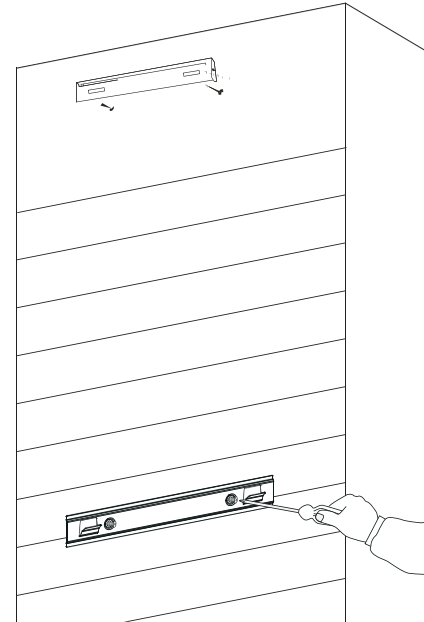
Menggunakan garis tengah tersebut, pasang cabang T resirkulasi dan braket dudukan cerobong pada dinding. Pasang pipa fleksibel antara cabang T dan pipa transisi saluran gas asap. Gunakan cincin pengunci untuk mengunci pipa fleksibel ke cabang T dan saluran transisi (Gambar 11).

CATATAN: Saat dipasang dalam mode resirkulasi, dianjurkan untuk menggunakan suatu penyerang karbon untuk mencegah bau masuk kembali ke dalam ruangan.

5b. Mode saluran buang (Gambar 10).

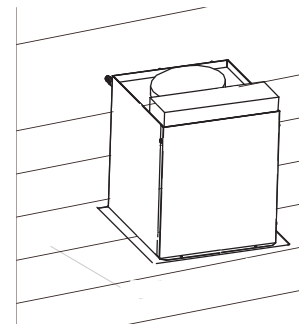
Pasanglah pipa fleksibel pada saluran transisi (Gambar 10). Gunakan cincin pengunci untuk mengunci saluran fleksibel pada saluran transisi.

CATATAN: Untuk memastikan kinerja tudung asap yang optimal, dianjurkan menggunakan saluran buang yang berbahan kaku. Penggunaan belokan pada saluran buang hendaknya dihindari. Semua saluran buang harus tahan api.

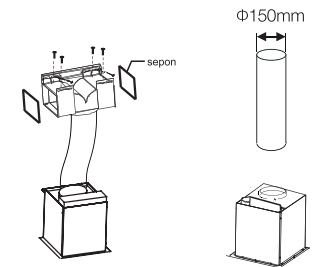


Gambar 7

4. Lepaskan lapisan plastik pelindung, bila ada, dari badan tudung asap dan gantungkan braket dinding.



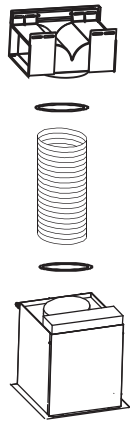
Gambar 8



Gambar 9

Gambar 10

INSTALASI TUDUNG ASAP (LANJUTAN)



Gambar 11

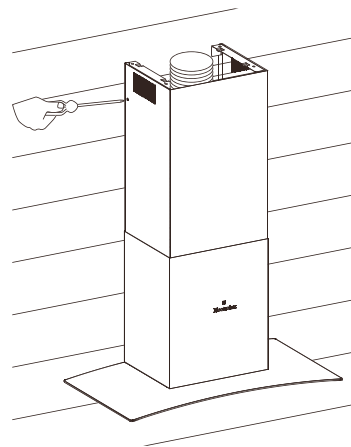
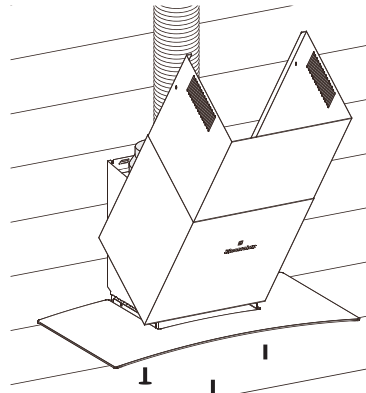
6. Sambungan kelistrikan

- Pemasangan kabel listrik tudung asap hanya boleh dilakukan oleh orang yang berkualifikasi sesuai semua aturan dan standar kelistrikan. Matikanlah aliran listrik pada jaringan sebelum menyambungkan kabel ke tudung asap.
- Bila kabel listrik rusak, kabel hanya boleh diganti oleh Electrolux, agennya, atau orang yang berkualifikasi serupa untuk menghindari risiko.
- Jangan menggunakan steker atau kabel tambahan selain yang disertakan bersama tudung asap.
- Tudung asap ini harus diardekan. Jangan melepaskan pin arde steker.

7. Instalasi tutup saluran gas asap teleskopik

Pisahkan tutup saluran gas asap. Dengan hati-hati satukan kembali tutup bagian atas dan bawah saluran gas asap dengan menyelipkan tutup saluran bagian dalam pada bagian luar. Kunci tutup luar saluran gas asap menggunakan sekrup (Gambar 12). Dengan hati-hati turunkan tutup saluran gas asap bagian atas dan bawah yang telah disatukan ke atas badan tudung asap. Kunci tutup atas saluran gas asap pada braketudukan di dinding menggunakan sekrup-sekrup yang tersedia. Pastikan bagian atas telah diulur sesuai keperluan.

CATATAN: Dengan hati-hati lepaskan lapisan plastik pelindung, bila ada, dari tutup saluran gas asap. Secara khusus, berhati-hatilah saat melepaskan lapisan plastik pelindung dari bagian label nama.

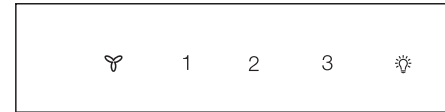


Gambar 12

Tudung asap Electrolux anda siap untuk digunakan.

PENGUNAAN TUDUNG ASAP

EFC935SAR EFC936GAR
EFC635SAR EFC636GAR



EFC735SAR EFC736GAR



Mode siaga

Saat menyambungkan tudung asap ke catu daya listrik untuk pertama kalinya atau setelah aliran listrik menyala kembali setelah padam, semua simbol pada panel kontrol akan menyala dari kiri ke kanan dan suatu nada "bip" akan terdengar satu kali. Setelah itu, panel kontrol akan masuk ke mode siaga dan tudung akan siap untuk digunakan.

Menyalakan tudung asap

Saat tudung asap berada dalam mode siaga, pengguna dapat menekan tombol (1) atau (2) untuk menyalakan kipas atau lampu secara terpisah. Tingkat standar dari pabrik adalah 2, setelah itu, tudung asap mengingat setelan yang digunakan terakhir dan akan dimulai pada tingkat tersebut saat pengguna menekan tombol kipas atau lampu..

Kipas - pilihlah kecepatan yang sesuai dengan kondisi memasak.

- ☞ (1) - motor kipas menyala /padam
- 1 (1) - menggoreng /merebus ringan
- 2 (2) - menggoreng /memasak dengan wajan /merebus berat
- 3 (3) - memasak dengan gril, menggoreng intensif dan memasak menggunakan wajan
- ☞ - lampu

PERAWATAN DAN PEMBERSIHAN

! PERHATIAN!

- Sebelum melaksanakan perawatan atau pembersihan, aliran listrik ke tudung asap harus diputuskan. Pastikan aliran listrik ke tudung asap sudah diputuskan pada stopkontak danstekernya telah dicabut.
- Permukaan luar tudung asap ini mudah tergores dan terkikis, jadi harap ikuti petunjuk pembersihan untuk memastikan hasil terbaik dapat dicapai tanpa kerusakan.
- Petunjuk-petunjuk ini harus diikuti untuk menghindari risiko kebakaran.

Permukaan Baja Tahan Karat

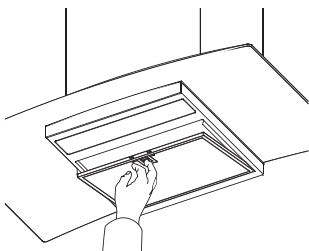
Bersihkan permukaan baja tahan karat menggunakan produk pembersih non-abrasif yang khusus untuk pemakaian pada baja tahan karat. Untuk memastikan hasil terbaik, gunakan juga tekanan yang merata dan ikuti alur permukaan baja tahan karat. Penggunaan lap yang lembut mengurangi risiko tergores. Bila lap tersebut basah, pastikan untuk menggunakan lap lembut yang kering untuk menyeka permukaan sekali lagi untuk mengurangi risiko munculnya karat pada permukaan.

Permukaan panel kontrol

Panel kontrol dapat dibersihkan menggunakan air sabun hangat. Pastikan lap telah diperas dengan tuntas sebelum membersihkan panel kontrol. Gunakan lap lembut kering untuk menyingkirkan sisa air yang tertinggal setelah pembersihan.

Melepaskan penyaring lemak dari logam

Tekan penyaring lemak ke sisi kiri tudung asap kemudian tarik ke bawah.



Pencucian manual dengan tangan

Penyaring kasa dapat dibersihkan dengan tangan menggunakan air sabun hangat. Rendam dalam air hangat dan sedikit sabun cuci. Untuk noda membandel gunakan sikat nilon halus untuk membantu menyingkirkan noda-noda tersebut. Setelah pembersihan pastikan penyaring-penyaring telah benar-benar kering sebelum dipasang kembali.

Pencucian komponen dengan mesin pencuci piring

Tempatkan penyaring lemak dalam mesin cuci piring. Pilihlah program pencucian yang paling kuat dan temperatur tertinggi, sekurang-kurangnya 65°C. Ulangi proses tersebut. Pasang kembali penyaring-penyaring lemak setelah kering. Dengan mencuci penyaring lemak dari logam dalam mesin cuci piring, dapat terjadi sedikit perubahan warna pada penyaring, namun hal ini tidak berpengaruh pada kinerjanya.

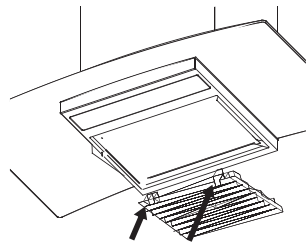
Penggantian lampu

Lampu-lampu yang digunakan adalah lampu LED tahan lama yang tidak memerlukan penggantian. Bila ada masalah dengan lampu, harap hubungi bagian Servis. Rincian kontak servis ditunjukkan di halaman 36.

Penyaring arang

- Penyaring arang (karbon) hendaknya hanya digunakan bila anda ingin menggunakan tudung asap dalam fungsi resirkulasi.
- Filter ini tidak dapat dibersihkan atau digunakan kembali sebagai aturan umum, filter karbon aktif harus diganti setiap 3 bulan sekali.

Untuk memasang penyaring, kunci hingga terdengar suara klik tanda terkunci. Tarik keluar masing-masing pengait, miringkan dan lepaskan penyaring.



- Selalu tentukan nomor kode dan nomor seri tudung asap saat memesan penyaring pengganti. Informasi ini ditunjukkan pada label pendaftaran yang terdapat di sisi dalam unit ini.
- Penyaring-penyaring arang (karbon) pengganti dapat dipesan dari pusat suku cadang Electrolux di tempat anda, rincian kontak ditunjukkan di halaman 36.

PENELUSURAN MASALAH

Masalah	Penyelesaian
Tudung asap tidak dapat menyala	Pastikan tudung asap telah terhubung ke aliran listrik. Pastikan salah satu kecepatan kipas telah dipilih.
Tudung asap tidak bekerja.	Pastikan kecepatan kipas telah disetel cukup tinggi untuk pekerjaan tersebut. Penyaring-penyaring lemak dalam keadaan bersih. Dapur memiliki ventilasi yang baik agar udara segar dapat masuk. Bila disetel untuk resirkulasi, pastikan penyaring arang masih efektif. Bila disetel untuk ekstraksi, pastikan saluran dan lubang aliran udara tidak tersumbat. Jangan mengoperasikan kompor tanpa ada panci /kuali. Jangan menyalakan api besar di bawah tatakan kompor.
Tudung asap mati saat beroperasi.	Perangkat pengaman pemotong arus telah aktif - matikan kompor dan tunggu hingga tudung asap ini kembali ke pengaturan awal. Bila tudung asap dipasang lebih rendah dari ketinggian yang ditetapkan dalam petunjuk-petunjuk instalasi, motor akan sering mati yang akan merusak tudung asap.

Bila anda telah menuntaskan semua pemeriksaan di atas namun masih mengalami kesulitan, harap hubungi Pusat Servis Electrolux setempat.

CATATAN: Produk ini dilengkapi dengan perangkat pengaman pemotong arus.

- Bila tudung asap dipasang terlalu dekat dengan tatakan kompor, memasak dengan api besar, mengoperasikan kompor tanpa ada alat memasak dan penyaring yang tersumbat dapat mengaktifkan perangkat pengaman pemotong arus. Bila tudung asap berhenti selama operasi, perbaiki masalahnya dan tunggu hingga perangkat pengaman pemotong arus kembali ke posisi awal, kemudian tudung asap akan berfungsi sebagaimana mestinya.
- Jangan mengoperasikan kompor tanpa ada panci /kuali.
- Jangan menyalakan api besar di bawah tatakan kompor.

PUSAT LAYANAN KONSUMEN

<p>Thailand Telepon Pusat Layanan: (+66 2) 725 9000 Electrolux Thailand Co.,Ltd. Electrolux Building 14th Floor 1910 New Petchburi Road, Bangkapi.Huay Kwang, Bangkok 10310 Telepon Kantor: (+66 2) 7259100 Faks Kantor: (+66 2) 7259299 Email: customercareshai@electrolux.com</p>	<p>Singapore CONSUMER CARE HOTLINE : (+65) 6727 3699 Electrolux S.E.A, Pte Ltd. 1 Fusionopolis Place, #07-10 Galaxis, West Lobby Singapore 138522. Office Fax : (+65) 67273611 Email : customer-care.sin@electrolux.com</p>
<p>Indonesia Hotline service: 08041119999 PT. Electrolux Indonesia Electrolux Building Jl.Abdul Muis No.34, Petojo Selatan, Gambir Jakarta Pusat 10160 Email:customercare@electrolux.co.id SMS & WA : 0812.8088.8863</p>	<p>Philippines Telepon Bebas Biaya Domestik : 1-800-10-845-care 2273 Customer Care Hotline : (+63 2) 845 care 2273 Electrolux Philippines, Inc. 10th Floor. W5th Avenue Building 5th Avenue Comer 32 nd Street Bonifacio Global City, Taguig Philippines 1634 Telepon: +63 2 737- 4756 Website: www.electrolux.com.ph Email: wecare@electrolux.com</p>
<p>Vietnam Telepon Bebas Biaya Domestik : 1800-58-88-99 Tel: (+84 8) 3910 5465 Electrolux Vietnam Ltd. Floor 9th, A&B Tower 76 Le Lai Street - Ben Thanh Ward - District 1 Ho Chi Minh City, Vietnam Telepon Kantor: (+84 8) 3910 5465 Faks Kantor : (+84 8) 3910 5470 Email: vnccare@electrolux.com</p>	<p>Malaysia Domestic Toll Free: 1300-88-11-22 Electrolux Home Appliances Sdn. Bhd. Corporate Office Address: 7th Floor, Tower 2, Jaya 33, No. 3 Jalan Semangat, Seksyen 13, 46100 Petaling Jaya, Selangor. Corporate Office Tel: (+60 3) 7843 5999 Corporate Office Fax: (+60 3) 7955 5511</p>
<p>Hongkong Telepon: (+852) 8203 0298 Dah Chong Hong, Ltd. - Service Centre 8/F., Yee Lim Godown Block C 2-20 Kwai Lok Street, Kwai Chung, N.T. Hong Kong</p>	<p>Consumer Care Center Address: Lot C6, No. 28, Jalan 15/22, Taman Perindustrian Tiong Nam, 40200 Shah Alam, Selangor Consumer Care Center Tel:(+60 3) 5525 0800 Consumer Care Center Fax:(+60 3) 5524 2521 Email: malaysia.customercare@electrolux.com</p>

Inovator Desain yang Penuh Perhitungan

Ingatlah anda saat terakhir anda membuka suatu hadiah yang menyebabkan anda berkata, "Oh! Bagaimana anda tahu? Memang ini yang saya inginkan!" Perasaan seperti itulah yang dicari oleh kami di Electrolux untuk dibangkitkan pada setiap orang yang memilih atau menggunakan salah satu produk kami. Kami mendedikasikan waktu, pengetahuan, dan sejumlah besar pemikiran untuk mengantisipasi dan menciptakan jenis peralatan yang benar-benar diperlukan dan diinginkan para pelanggan kami.

Kepedulian penuh pemikiran seperti ini berarti berinovasi dengan wawasan. Bukan desain untuk sekadar desain, namun desain untuk kepentingan pengguna. Bagi kami, desain penuh pemikiran berarti membuat alat lebih mudah digunakan bagi kami dan tugas-tugas lebih menyenangkan untuk dilaksanakan, membebaskan para konsumen kami untuk merasakan kemewahan puncak abad 21, rasa tenteram. Tujuan kami adalah agar rasa tenteram ini makin tersedia bagi lebih banyak orang di berbagai kegiatan hidupnya, di seluruh dunia. Jadi saat kami mengatakan kami memikirkan anda, itulah yang kami maksud.

Janji "*Thinking of you*" dari Electrolux lebih dari sekadar memenuhi kebutuhan pelanggan kami saat ini. Janji tersebut juga berarti kami berkomitmen menjadikan peralatan lebih aman bagi lingkungan - saat ini dan di masa mendatang.

Electrolux. Thinking of you.

WE'RE THINKING OF YOU

ขอพระคุณที่ท่านเลือกใช้ผลิตภัณฑ์ของอิเล็กทรอนิกส์ เท่ากับท่านได้เลือกผลิตภัณฑ์ที่มีประสิทธิภาพ และนวัตกรรมระดับมืออาชีพมากกว่าทศวรรษ พร้อมการออกแบบอย่างชาญฉลาด และมีสไตล์ ซึ่งเป็นารออกแบบ ที่คิดคำนึงถึงผู้บริโภคเป็นหลัก ทุกครั้งที่ท่านใช้งานผลิตภัณฑ์ของอิเล็กทรอนิกส์ ท่านจะรู้สึกได้ถึงความปลอดภัย และประสิทธิภาพการทำงานของเครื่อง ขอต้อนรับสู่โลกของอิเล็กทรอนิกส์

ก่อนใช้งานเครื่องดูดควัน

ก่อนใช้งานเครื่องดูดควันโปรดใช้เวลาอ่านคู่มือฉบับนี้อย่างละเอียด ซึ่งมีข้อมูลเกี่ยวกับรายละเอียดของเครื่องและฟังก์ชันการทำงานต่างๆ เพื่อใช้ประโยชน์จากอุปกรณ์นี้ได้อย่างเต็มสมรรถนะ โปรดติดตั้งเครื่องดูดควันให้ถูกต้องและปฏิบัติตามข้อแนะนำเพื่อความปลอดภัยที่อยู่ในคู่มือฉบับนี้ เพื่อป้องกันการใช้งานไม่ถูกต้องและอันตรายที่อาจเกิดขึ้นได้จากการใช้อุปกรณ์เครื่องใช้ไฟฟ้า โปรดเก็บคู่มือฉบับนี้เอาไว้สำหรับใช้อ้างอิงในอนาคต

เงื่อนไขการใช้งาน:

เครื่องดูดควันรุ่นนี้ออกแบบมาเพื่อใช้ภายในครัวเรือน และสถานที่ในลักษณะเดียวกัน เช่น:

- ห้องครัวสำหรับพนักงานในร้าน สำนักงาน และสถานที่ทำงานอื่นๆ
- บ้านสวน
- สำหรับลูกค้าในโรงแรม โมเต็ล และสถานที่พักอาศัยอื่นๆ
- บริเวณที่พักพร้อมอาหารเช้า

ก่อนติดต่อศูนย์บริการ

โปรดอ่านคู่มือการใช้งานก่อนติดต่อขอรับบริการ ในกรณีที่เรียกเจ้าหน้าที่เพื่อแก้ปัญหาตามรายการในคู่มือ บริษัทขอสงวนสิทธิ์ในการคิดค่าบริการ

บันทึกรุ่นและหมายเลขเครื่อง:

รุ่น: _____
หมายเลขเครื่อง (Serial No): _____

สารบัญ

- 39 ข้อแนะนำเพื่อความปลอดภัย
- 40 รายละเอียดของเครื่อง
- 41 ขนาดของเครื่อง
- 42 การติดตั้ง
- 45 การใช้งาน
- 44 การดูแลรักษาและความสะอาด
- 47 การแก้ไขปัญหาเบื้องต้น
- 48 ศูนย์บริการลูกค้า

สัญลักษณ์ต่างๆที่ใช้ในคู่มือฉบับนี้:

! คำเตือน!
แสดงข้อมูลที่ควรทราบเพื่อความปลอดภัยของตัวท่านเอง

! ข้อควรระวัง!
แสดงข้อมูลที่ควรทราบเพื่อหลีกเลี่ยงการทำเครื่องเสียหาย

i ข้อควรทราบ!
แสดงเคล็ดลับและข้อมูลที่ควรทราบเกี่ยวกับการใช้เครื่อง

! ข้อมูลด้านสิ่งแวดล้อม!
แสดงเคล็ดลับและข้อมูลที่ควรทราบเกี่ยวกับการใช้เครื่องอย่างประหยัดและถูกหลักสิ่งแวดล้อม

RoHS Compliant.
ห้ามทั้งผลิตภัณฑ์นี้ร่วมกับขยะมูลฝอยในครัวเรือน ในกรณีที่ต้องการกำจัดเครื่องนี้ในอนาคต เครื่องควรถูกทิ้งในจุดเก็บขยะสำหรับการนำกลับมาใช้ใหม่ของอุปกรณ์อิเล็กทรอนิกส์

ผลิตภัณฑ์นี้ตรงตามมาตรฐานเพื่อสิ่งแวดล้อม RoHS

ข้อแนะนำเพื่อความปลอดภัย

คู่มือฉบับนี้แนะนำวิธีการใช้งานที่เหมาะสมสำหรับเครื่องดูดควันรุ่นใหม่ของท่าน โปรดใช้เวลาอ่านคู่มือฉบับนี้อย่างละเอียดก่อนใช้เครื่อง และเก็บคู่มือฉบับนี้เอาไว้สำหรับใช้อ้างอิงในอนาคต

ผลิตภัณฑ์นี้เป็นเครื่องใช้ไฟฟ้าสำหรับใช้ในบ้าน ซึ่งผลิตและทดสอบตรงตามมาตรฐานสากล IEC 60335.2.31

โปรดอ่านข้อแนะนำอย่างละเอียดเพื่อป้องกันอันตรายต่อผู้ใช้และความเสียหายต่อเครื่อง

- ⊘ แสดงสิ่งที่ไม่ควรทำ
- ⊙ แสดงสิ่งที่ควรทำ

! คำเตือน! โปรดปฏิบัติตามข้อแนะนำอย่างเคร่งครัดเพื่อป้องกันไฟฟ้าช็อตหรือไฟไหม้

- ⊙ เด็กเล็กจะต้องมีผู้ดูแลไม่ให้เล่นกับเครื่อง
- ⊘ เครื่องนี้ไม่ได้รับการออกแบบมาสำหรับการใช้งานของเด็ก และผู้ใหญ่ที่มีความบกพร่องทางร่างกาย ทางประสาทรับรู้ หรือทางจิตใจ รวมถึงผู้ที่ขาดประสบการณ์และความรู้ หลีกเลี่ยงการใช้เครื่องโดยไม่มีผู้ควบคุมดูแลหรือให้คำแนะนำอย่างใกล้ชิด เพื่อความปลอดภัยในการใช้งาน
- ⊙ ปิดสวิทช์ก่อนดูแลรักษาเครื่อง เพื่อป้องกันไฟฟ้าช็อต
- ⊘ อย่าทอดอาหารไฟแดงกับเครื่องดูดควัน
- ⊘ ไม่แนะนำให้ใช้เครื่องสำหรับทำบาร์บีคิว
- ⊘ เครื่องรุ่นนี้ไม่สามารถติดตั้งเพื่อใช้นอกบ้าน
- ⊙ ควรถอดที่กรองน้ำมันออกทำความสะอาดทุกๆ 4 สัปดาห์ (สูงสุด) เพื่อป้องกันไฟไหม้
- ⊘ ท่อระบายอากาศจะต้องไม่เชื่อมต่อกับท่อความร้อนของอุปกรณ์อื่นๆที่อาจเกิดระเบิดได้ (ภาพที่ 1)
- ⊘ ท่อระบายอากาศจะต้องไม่เชื่อมต่อกับรูบนผนังที่ไม่ได้ออกแบบมาสำหรับใช้กับเครื่องดูดควัน
- ⊙ ถ้าต้องใช้เครื่องดูดควันร่วมกับอุปกรณ์ที่ใช้แก๊สหรือเชื้อเพลิงอื่นๆ จะต้องมีการหมั่นเวียนอากาศในห้องที่ดี
- ⊙ หากเปิดโพนเตา ให้ตั้งหม้อ/กระทะทุกครั้งที่เปิดใช้งานเครื่อง
- ⊙ ปิดหัวแก๊สก่อนเอาหม้อ/กระทะออกจากเตาแก๊ส
- ⊘ ห้ามเปิดหัวแก๊สทิ้งไว้ เพื่อป้องกันไฟไหม้ (ภาพที่ 2)

การต่อระบบไฟ

ให้ตรวจสอบแรงดันไฟฟ้าว่าตรงกับที่ระบุในแผ่นป้ายที่ติดอยู่ข้างตัวเครื่องหรือไม่ ให้ตรวจสอบว่าการติดตั้งตรงตามมาตรฐานของหน่วยงานควบคุมอาคาร การใช้แก๊ส และไฟฟ้าในห้องถิ่น ในกรณีที่มีสายไฟชำรุด ให้เปลี่ยนสายไฟใหม่โดยผู้ผลิต ตัวแทนหรือช่างไฟฟ้าที่มีความชำนาญ เพื่อป้องกันอันตรายที่อาจเกิดขึ้น

คำเตือนเกี่ยวกับความปลอดภัย – สำหรับผู้ติดตั้ง

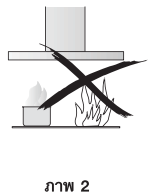
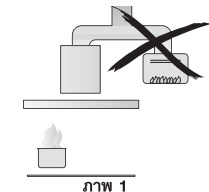
ในการติดตั้งเครื่องจะต้องปฏิบัติตามข้อแนะนำเกี่ยวกับระยะห่างขั้นต่ำและระยะห่างสูงสุดจากฐานเครื่องดูดควันถึงเตาประกอบอาหาร (ตามตารางในหน้า 6)

การติดตั้งท่อระบายอากาศ: จะต้องปฏิบัติตามข้อกำหนดต่อไปนี้เพื่อประสิทธิภาพสูงสุดในการดูดควัน

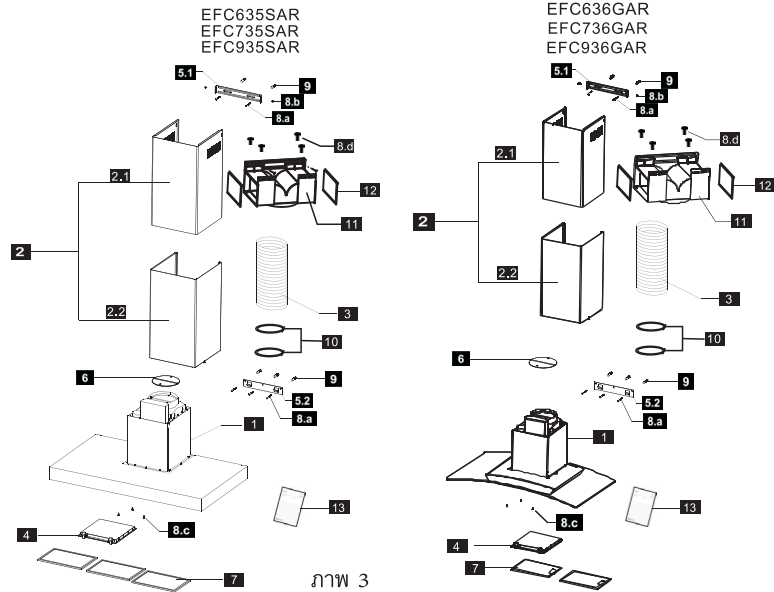
- ท่อระบายอากาศจะต้องสั้นและตรง
- ห้ามลดขนาดท่อระบายอากาศ
- ท่อระบายอากาศจะต้องโค้งงอน้อยที่สุด
- เมื่อใช้ท่ออ่อนต้องดึงให้ตึงเพื่อรักษาแรงดันอากาศในท่อ
- การไม่ปฏิบัติตามข้อแนะนำพื้นฐานเหล่านี้ อาจทำให้เครื่องลดประสิทธิภาพในการทำงานลง และยังทำให้เครื่องมีเสียงดังอีกด้วย

ท่อระบายอากาศจะต้องไม่เชื่อมต่อกับรูบนผนังที่ไม่ได้ออกแบบมาสำหรับใช้กับเครื่องดูดควัน
ท่อระบายอากาศจะต้องไม่เชื่อมต่อกับท่อความร้อนของอุปกรณ์อื่นๆที่อาจเกิดระเบิดได้

หมายเหตุ: การติดตั้งในบางจุดอาจจำเป็นต้องตัดฝาครอบปล่องเตาเหล็กปีกออกให้พอดีกับความยาว ใช้กรรไกรตัดลึงกบสีหรือใบเลื่อยที่มีฟันละเอียดตัดโดยไม่ให้เกิดเขี้ยวหรือเสียงรบกวน



รายละเอียดของเครื่อง



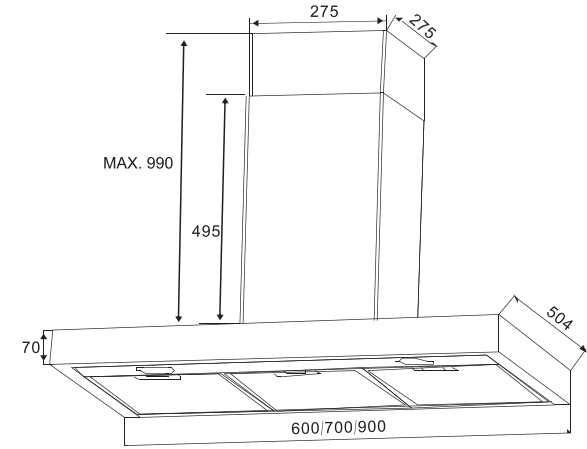
ภาพ 3

รายการอุปกรณ์ประกอบเครื่อง

หมายเลขอ้างอิง	จำนวน	อุปกรณ์สำหรับตัวสินค้า
1	1 ชิ้น	ตัวเครื่องพร้อมแผงควบคุมการทำงาน หลอดไฟ เครื่องเป่าลม
2	1 ชุด	ชุดฝาครอบปล่องระบายควัน
2.1	1 ชิ้น	ฝาครอบปล่องระบายควันด้านใน
2.2	1 ชิ้น	ฝาครอบปล่องระบายควันด้านนอก
3	1 ชิ้น	ตัวแปลงท่อทำจากอลูมิเนียม
4	1 ชิ้น	ที่กรองคาร์บอน
5.1	1 ชิ้น	ตัวยึดฝาครอบปล่องระบายควัน
5.2	1 ชิ้น	ตัวยึดเครื่องเข้ากับผนัง
6	1 ชุด	ฝาเปิดปิดช่องระบายอากาศ (แบบบานพับ)
7	2/3 ชิ้น	ที่กรองตาข่ายทำจากอลูมิเนียม
8.a	7 ชิ้น	สกรูยึดผนัง (ST 5 x 50 มม.)
8.b	2 ชิ้น	สกรูสำหรับตัวยึดฝาครอบปล่องระบายควัน (M4 x 10 มม.)
8.c	3 ชิ้น	สกรูสำหรับตัวยึดฝาครอบส่วนล่าง (ST4 x 10 มม.)
8.d	4 ชิ้น	สกรูสำหรับตัวยึดอุปกรณ์หมุนเวียนอากาศ
9	7 ชิ้น	พุก
10	2 ชิ้น	ตัวรัดท่อ
11	1 ชุด	อุปกรณ์หมุนเวียนอากาศรูปตัว T (T-piece)
12	2 ชิ้น	ฟองน้ำที่ใส่กับ T (T-piece)
13	1 ชิ้น	คู่มือการใช้งาน

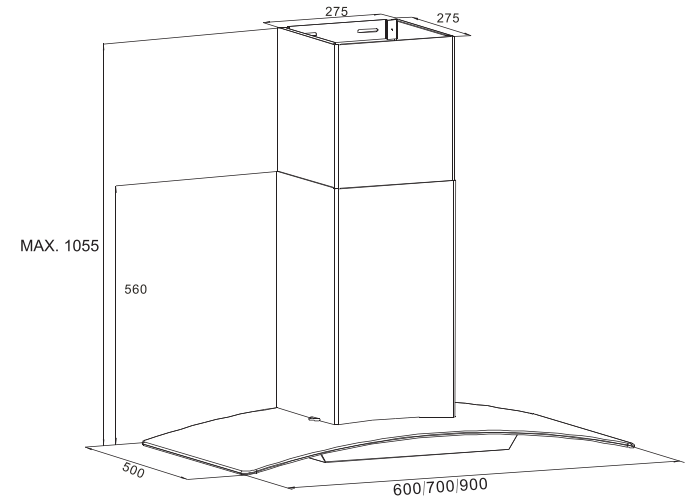
ขนาดของเครื่อง

EFC935SAR
EFC735SAR
EFC635SAR



ภาพ 4

EFC936GAR
EFC736GAR
EFC636GAR



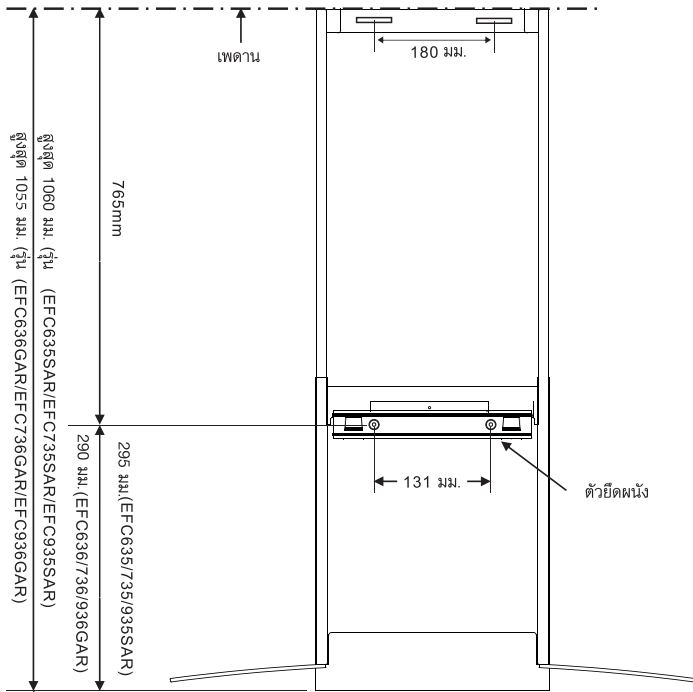
การติดตั้ง

คำเตือน!
โปรดปฏิบัติตามหัวข้อ “ข้อแนะนำเพื่อความปลอดภัย”

ก่อนทำการติดตั้งเครื่อง

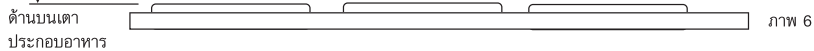
ก่อนติดตั้งเครื่อง ให้นำบันทึกข้อมูลข้างล่าง โดยดูจากแผ่นป้ายที่ติดอยู่ด้านล่างของโครงเครื่อง

รุ่น _____
หมายเลขผลิตภัณฑ์ (PNC) _____
หมายเลขเครื่อง (Serial No) _____



ประเภทของเตา	ขนาด A	
	ระยะห่างขั้นต่ำ*	ระยะห่างสูงสุด
เตาแก๊ส	650 มม.	800 มม.
เตาไฟฟ้า	650 มม.	800 มม.

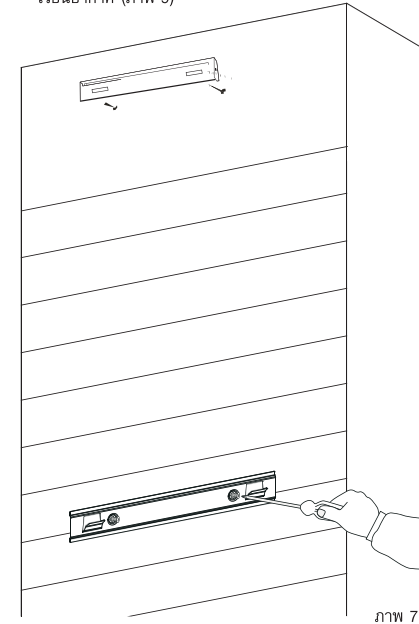
คำเตือน!
หากไม่ใส่สกรูหรือยึดเครื่องตามข้อแนะนำ อาจทำให้เกิดอันตรายจากไฟฟ้าได้



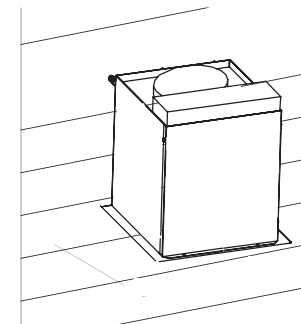
- ขีดเส้นแนวตั้งเพื่อทำเครื่องหมายจุดศูนย์กลางของเตาลงบนผนังที่ต้องการติดตั้งเครื่อง ขีดเส้นแนวนอนตามตำแหน่งของฐานเครื่องดูดควัน (ดูภาพประกอบด้านล่าง)
หมายเหตุ: ระยะห่างขั้นต่ำเพื่อความปลอดภัยของตัวเครื่องดูดควันกับเตาประกอบอาหารอยู่ที่ 650 มม.* และความสูงที่จะติดตั้งต้องไม่เกิน 800 มม.
* ในกรณีที่ยกเว้นให้นำสำหรับการติดตั้งเตาประกอบอาหารระบุว่าการระยะห่างมากกว่านี้ ให้ปฏิบัติตามข้อแนะนำสำหรับการติดตั้งเตาประกอบอาหาร
- ทำเครื่องหมายจุดที่ต้องติดตั้งตัวยึดฝาครอบปล่องระบายควันและตัวยึดเครื่องเข้ากับผนังไว้เหนือฐานตัวเครื่องดูดควัน (ภาพ 6)

การติดตั้ง (ต่อ)

- ติดตั้งตัวยึดฝาครอบปล่องระบายควันและตัวยึดเครื่องเข้ากับผนังด้วยสกรู ลงบนผนังตามตำแหน่งที่ทำเครื่องหมายไว้ (ภาพ 7) ติดอุปกรณ์ หมุนเวียนอากาศรูปตัว T (T-piece) ไว้กับตัวยึดฝาครอบปล่องระบายควัน หากใช้เป็นเครื่องหมุนเวียนอากาศ (ภาพ 9)



- แกะแผ่นฟิล์มกันรอยออกจากเครื่องให้หมด แล้ววางตัวเครื่องบนตัวยึดผนังให้แน่น



ทำตามขั้นตอน 5a หรือ 5b ตามระบบการติดตั้ง/การดูดควันที่ต้องการ

5a. การใช้เป็นเครื่องหมุนเวียนอากาศ (ภาพ 9)

ติดตั้งอุปกรณ์ T ด้วยสกรู 4 ตัวที่ให้มาด้วยกับสินค้า ติดแผ่นฟองน้ำเข้ากับปลายทางออกของอุปกรณ์ T ทั้งสองด้าน. (ภาพ 9)

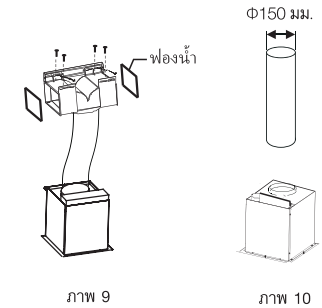
ติดอุปกรณ์หมุนเวียนอากาศรูปตัว T (T-piece) และตัวยึดฝาครอบปล่องระบายควันเข้ากับผนังให้ถูกต้องจุดศูนย์กลาง แล้วใส่ท่ออ่อนระหว่าง T-piece กับตัวปล่องท่อ หลังจากนั้นใช้ตัวรัดท่อเพื่อยึดท่ออ่อนไว้ระหว่าง T-piece และตัวปล่องท่อ (ภาพ 11)

หมายเหตุ: แนะนำให้ใช้ที่กรองคาร์บอนเพื่อป้องกันไม่ให้กลิ่นไหลเวียนกลับเข้าสู่ห้องครัว

5b. การใช้เป็นเครื่องดูดควัน (ภาพ 10)

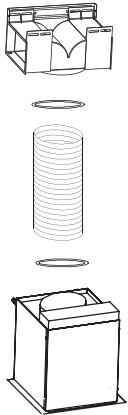
ใส่ท่อระบายควันเข้ากับตัวปล่องท่อ (ภาพ 10) หลังจากนั้นใช้ตัวรัดท่อเพื่อยึดท่ออ่อนไว้กับตัวปล่องท่อ

หมายเหตุ: เพื่อให้เครื่องดูดควันทำงานได้อย่างมีประสิทธิภาพสูงสุด แนะนำให้ใช้ท่อแข็ง และไม่ควรถูกโค้ง นอกจากนี้ ท่อต้องไม่ติดไฟอีกด้วย



ภาพ 8

การติดตั้ง (ต่อ)



ภาพ 11

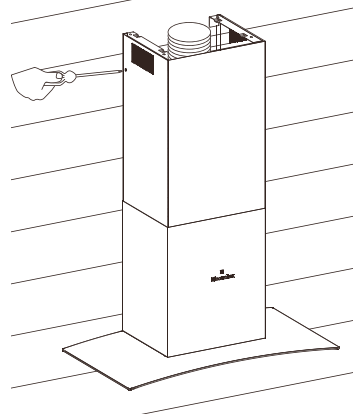
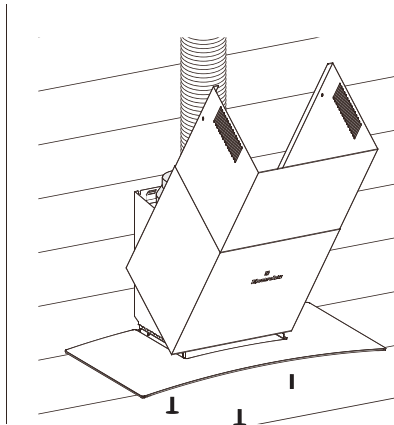
6. การต่อระบบไฟ

- การเดินสายไฟต้องทำโดยช่างไฟฟ้าที่มีความชำนาญ ตรงตามกฎข้อบังคับและมาตรฐาน และจะต้องปิดระบบไฟฟ้าเข้าเครื่องก่อนเดินสายไฟ
- ในกรณีที่สายไฟชำรุด ให้เปลี่ยนสายไฟใหม่โดยผู้ผลิต ตัวแทน หรือช่างไฟฟ้าที่มีความชำนาญ เพื่อป้องกันอันตรายที่อาจเกิดขึ้น
- ห้ามใช้ปลั๊กและสายไฟต่อพ่วง นอกเหนือจากที่ให้มาพร้อมเครื่อง
- อุปกรณ์นี้ต้องต่อสายดินเสมอ ห้ามหักขาสายดินออกจากปลั๊ก

7. การติดตั้งชุดฝาครอบปล่องระบายควันแบบปรับความยาวได้

แยกฝาครอบปล่องระบายควันด้านในและด้านนอกออกจากกัน แล้วแกะแผ่นฟิล์มกันรอยออกให้หมด ประกอบฝาครอบด้านบนและด้านล่างกลับเข้าที่ด้วยความระมัดระวัง โดยเลื่อนฝาครอบด้านในไปที่ด้านนอก ยึดฝาครอบด้านบนนอกด้วยสกรู (ภาพ 12) หลังจากนั้นครอบฝาครอบไปที่ส่วนบนของตัวเครื่องดูดควัน ยึดฝาครอบด้านบนบนด้วยสกรูที่ให้มา แล้วตรวจดูว่าส่วนบนสามารถขยับได้

หมายเหตุ: แกะแผ่นฟิล์มกันรอยออกจากฝาครอบด้วยความระมัดระวัง โดยเฉพาะบริเวณสติกเกอร์

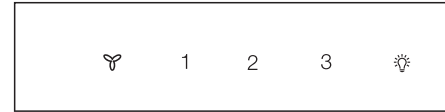


ภาพ 12

เครื่องดูดควันอีเลคโทรลิกซ์ของท่านพร้อมใช้งานแล้ว

การใช้งาน

EFC935SAR EFC936GAR
EFC635SAR EFC636GAR



EFC735SAR EFC736GAR



โหมดสแตนด์บาย

เมื่อเปิดระบบจ่ายไฟเข้าเครื่องเป็นครั้งแรก หรือเปิดระบบจ่ายไฟอีกครั้ง หลังจากเกิดกระแสไฟฟ้าขัดข้อง โพลีเมอร์ของปุ่มต่างๆบนแผงควบคุมการทำงานจะสว่างขึ้น และมีเสียงสัญญาณ 1 ครั้ง หลังจากนั้น เครื่องจะเข้าสู่โหมดสแตนด์บาย และเครื่องจะพร้อมใช้งาน

การเปิดเครื่อง

ในขณะที่เครื่องอยู่ในโหมดสแตนด์บาย สามารถกดปุ่ม (ⓘ) หรือ เพื่อเปิดพัดลมหรือหลอดไฟ ค่าเริ่มต้นที่ตั้งมาจากโรงงานคือระดับ 2 เครื่องจะบันทึก และทำงานตามค่าที่ใช้ก่อนหน้าเมื่อกดปุ่มพัดลมหรือหลอดไฟ

ความเร็วพัดลม - เลือกระดับความเร็วให้เหมาะสมกับอาหารที่ทำ

(ⓘ) เปิด/ปิดพัดลม

1 (ซ) - สำหรับทอดไฟอ่อน/ต้ม

2 (ซ) - สำหรับทอด/ทอดน้ำมันท่วม/ต้มด้วยไฟแรง

3 (ซ) - สำหรับย่าง ทอดระยะสั้น และทอดน้ำมันท่วม

- หลอดไฟ

การดูแลรักษาและทำความสะอาด

⚠️ ข้อควรระวัง!

- ก่อนทำการดูแลรักษาหรือทำความสะอาดเครื่อง จะต้องปิดไฟเข้าเครื่องทุกครั้ง โดยปิดสวิตช์หรือถอดปลั๊กออก
- พื้นผิวด้านนอกเป็นรอยได้ง่าย โปรดปฏิบัติตามข้อแนะนำในการทำความสะอาด เพื่อป้องกันไม่ให้เกิดรอยขีดข่วนหรือความเสียหาย
- โปรดปฏิบัติตามข้อแนะนำเพื่อป้องกันไฟไหม้

พื้นผิวสแตนเลส

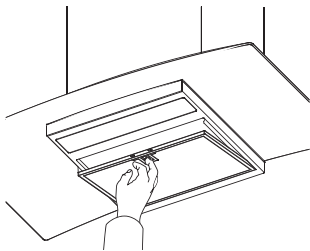
ทำความสะอาดด้วยน้ำยาที่ไม่มีฤทธิ์กัดกร่อนที่ใช้สำหรับสแตนเลสโดยเฉพาะ เพื่อให้ได้ผลดีควรออกแรงเช็ดเท่าๆกัน และเช็ดตามลายสแตนเลส และควรใช้ผ้านุ่มเพื่อลดรอยขีดข่วน ถ้าใช้ผ้าเปียกควรใช้ผ้าแห้งนุ่มๆเช็ดผิวสแตนเลสอีกครั้งเพื่อป้องกันสนิมขึ้น

แผนกควบคุมการทำงาน

ทำความสะอาดด้วยน้ำอุ่นผสมสบู่ ให้บีบผ้าจนหมาดก่อนใช้ทำความสะอาด แล้วใช้ผ้าแห้งนุ่มๆเช็ดเพื่อกำจัดความชื้นที่ตกค้างจากการทำความสะอาดด้วย

การถอดที่กรองน้ำมันชนิดโลหะ

ดึงที่กรองไปทางซ้าย แล้วดึงลง



ล้างด้วยมือ

สามารถทำความสะอาดที่กรองด้วยมือในน้ำสบู่อุ่น ให้แช่ในน้ำร้อนผสมน้ำยาล้างจาน สำหรับคราบฝังแน่นให้ใช้แปรงในลอนนุ่มๆขัด นำกลับไปติดตั้งเข้าที่เมื่อแห้งดีแล้ว

ล้างในเครื่องล้างจาน

วางที่กรองน้ำมันลงในเครื่องล้างจาน เลือกโปรแกรมล้างแบบสปริงมากที่อุณหภูมิสูงที่สุดอย่างน้อย 65 องศาเซลเซียส แล้วนำที่กรองน้ำมันกลับไปติดตั้งเข้าที่เมื่อแห้งดีแล้ว การล้างที่กรองน้ำมันในเครื่องล้างจานอาจทำให้ที่กรองเปลี่ยนสีเล็กน้อย แต่จะไม่มีผลต่อประสิทธิภาพในการทำงาน

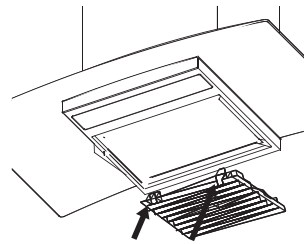
การเปลี่ยนหลอดไฟ

เครื่องรุ่นนี้ใช้หลอดไฟ LED อายุการใช้งานยาวนาน และไม่ต้องทำการบำรุงรักษาใดๆ หากต้องการติดต่อขอรับบริการที่เกี่ยวกับหลอดไฟ ดูข้อมูลได้จากหน้า 48

ที่กรองคาร์บอน

- ควรใช้ที่กรองคาร์บอนเมื่อต้องการใช้เครื่องเพื่อหมวนเวียนอากาศภายในห้องเท่านั้น
- โดยปกติที่กรองคาร์บอนจะไม่สามารถนำมาทำความสะอาดหรือใช้งานซ้ำได้ จึงควรเปลี่ยนที่กรองคาร์บอนใหม่ทุกๆ 3 เดือน

ใส่ที่กรองคาร์บอนจนได้ยินเสียงคลิก แสดงว่าล็อกเข้าที่ เมื่อต้องการถอดออก ให้ดึงสลัก เขียงที่กรองลง แล้วถอดออก



- ระบุหมายเลขรหัสของรุ่นและหมายเลขเครื่องทุกครั้งในการสั่งซื้อที่กรองคาร์บอน โดยดูรายละเอียดได้จากแผ่นป้ายที่ติดอยู่ที่ตัวเครื่อง
- ที่กรองคาร์บอนสามารถสั่งซื้อได้จากศูนย์บริการอิเล็กทรอนิกส์ใกล้บ้านท่าน ดูข้อมูลได้จากหน้า 48

การแก้ไขปัญหาเบื้องต้น

ปัญหา	วิธีแก้ไข
เปิดเครื่องไม่ได้	ตรวจสอบว่า ต่อสายไฟหรือยัง ตรวจสอบว่าเลือกความเร็วพัดลมหรือยัง
เครื่องไม่ทำงาน	ตรวจสอบว่า ตั้งความเร็วพัดลมสูงพอสำหรับการทำงานหรือยัง ที่กรองน้ำมันสะอาดหรือไม่ มีการถ่ายเทอากาศเข้าครัวเพียงพอหรือไม่ ถ้าตั้งให้ทำหน้าที่หมวนเวียนอากาศ ตรวจสอบว่าที่กรองคาร์บอนยังใช้งานได้หรือไม่ ถ้าตั้งให้ทำหน้าที่ดูดควัน ตรวจสอบว่าระบบท่อและช่องระบายอากาศอุดตันหรือไม่ ไม่ควรเปิดไฟบนเตาทิ้งไว้โดยไม่ตั้งหม้อ/กระทะขณะเปิดเครื่อง อย่าวางอาหารไฟแดงกับเครื่องดูดควัน
เครื่องปิดขณะทำงาน	อุปกรณ์ตัดไฟฉุกเฉินทำงานหรือไม่ – ปิดเครื่องแล้วรอสักพักจึงเปิดเครื่องอีกครั้ง ถ้าติดตั้งเครื่องให้มีระยะสูงเหนือเตาประกอบอาหารน้อยกว่าที่ระบุไว้ในคู่มือแนะนำการติดตั้ง หม้อเตออร์จะตัดไฟไปอยู่ ซึ่งอาจทำให้เครื่องเสียได้

ถ้าตรวจสอบตามที่ระบุข้างต้นแล้วยังไม่สามารถแก้ปัญหาได้ โปรดติดต่อศูนย์บริการอิเล็กทรอนิกส์ใกล้บ้านท่าน

หมายเหตุ: เครื่องรุ่นนี้มีอุปกรณ์ตัดไฟฉุกเฉิน

- ถ้าติดตั้งเครื่องใกล้เตาประกอบอาหารมากเกินไป ทอดอาหารไฟแดงไม่ตั้งหม้อ/กระทะขณะเปิดเครื่อง ที่กรองอุดตันอาจทำให้อุปกรณ์ตัดไฟฉุกเฉินทำงานได้ หากเครื่องปิดขณะทำงาน ให้แก้ปัญหาแล้วรอสักครู่ เพื่อให้อุปกรณ์ตัดไฟฉุกเฉินรีเซ็ต และเครื่องจะสามารถใช้งานได้ตามปกติ
- ไม่ควรเปิดไฟบนเตาทิ้งไว้โดยไม่ตั้งหม้อ/กระทะขณะเปิดเครื่อง
- ไม่ทอดอาหารไฟแดงกับเครื่องดูดควัน

ศูนย์บริการลูกค้า

<p>Thailand Call Center Tel : (+66 2) 725 9000 Electrolux Thailand Co.,Ltd. Electrolux Building 14th Floor 1910 New Petchburi Road, Bangkapi,Huay Kwang, Bangkok 10310 Office Tel : (+66 2) 7259100 Office Fax : (+66 2) 7259299 Email : customercareshai@electrolux.com</p>	<p>Singapore CONSUMER CARE HOTLINE : (+65) 6727 3699 Electrolux S.E.A. Pte Ltd. 1 Fusionopolis Place, #07-10 Galaxis, West Lobby Singapore 138522. Office Fax : (+65) 67273611 Email : customer-care.sin@electrolux.com</p>
<p>Indonesia Hotline service: 08041119999 PT. Electrolux Indonesia Electrolux Building Jl.Abdul Muis No.34 , Petojo Selatan, Gambir Jakarta Pusat 10160 Email:customercareshai@electrolux.co.id SMS & WA : 0812.8088.8863</p>	<p>Philippines Domestic Toll Free : 1-800-10-845-care 2273 Customer Care Hotline : (+63 2) 845 care 2273 Electrolux Philippines, Inc. 10th Floor. W5th Avenue Building 5th Avenue Corner 32nd Street Bonifacio Global City, Taguig Philippines 1634 Trunkline: +63 2 737- 4756 Website : www.electrolux.com.ph Email : wecare@electrolux.com</p>
<p>Vietnam Domestic Toll Free : 1800-58-88-99 Tel : (+84 8) 3910 5465 Electrolux Vietnam Ltd. Floor 9th, A&B Tower 76 Le Lai street – Ben Thanh Ward – District 1 Ho Chi Minh City , Vietnam Office Tel : (+84 8) 3910 5465 Office Fax : (+84 8) 3910 5470 Email : vncare@electrolux.com</p>	<p>Malaysia Domestic Toll Free: 1300-88-11-22 Electrolux Home Appliances Sdn. Bhd. Corporate Office Address: 7th Floor, Tower 2, Jaya 33, No. 3 Jalan Semangat, Seksyen 13, 46100 Petaling Jaya, Selangor. Corporate Office Tel: (+60 3) 7843 5999 Corporate Office Fax: (+60 3) 7955 5511</p>
<p>Hongkong Tel: (+852) 8203 0298 Dah Chong Hong, Ltd. – Service Centre 8/F., Yee Lim Godown Block C 2-28 Kwai Lok Street, Kwai Chung, N.T. Hong Kong</p>	<p>Consumer Care Center Address: Lot C6, No. 28, Jalan 15/22, Taman Perindustrian Tiong Nam, 40200 Shah Alam, Selangor Consumer Care Center Tel:(+60 3) 5525 0800 Consumer Care Center Fax:(+60 3) 5524 2521 Email: malaysia.customercareshai@electrolux.com</p>

www.electrolux.com

ผู้นำนวัตกรรมการออกแบบที่คิดคำนึงถึงผู้บริโภค

คุณยังจำครั้งสุดท้าย เวลาที่คุณเปิดของขวัญชิ้นหนึ่งแล้วต้องบอกว่า “ว้าว คุณรู้ได้อย่างไรว่าฉันอยากได้ของขวัญชิ้นนี้ นี่คือนี่สิ่งที่คุณอยากได้มากที่สุด?” นั่นคือความรู้สึกที่ผู้บริโภคจะได้รับจากผลิตภัณฑ์ทุกชิ้นของอีเลคโทรลักซ์ เราได้ทุ่มเทเวลา ความรู้ และความเข้าใจในพฤติกรรมของผู้บริโภคเพื่อที่จะคิดค้นและสร้างสรรค์ผลิตภัณฑ์ที่สามารถตอบรับกับความต้องการที่แท้จริงของพวกเขาเหล่านั้น

การคิดคำนึงถึงผู้บริโภคก่อให้เกิดการผลิตนวัตกรรมที่ตรงต่อความต้องการของผู้บริโภคอย่างแท้จริง อีเลคโทรลักซ์ไม่ได้ออกแบบผลิตภัณฑ์เพียงแคเป็นงานออกแบบชิ้นหนึ่งเท่านั้น แต่งานออกแบบทุกชิ้นคือการออกแบบเพื่อผู้บริโภค สำหรับอีเลคโทรลักซ์ งานออกแบบที่คำนึงถึงผู้บริโภคหมายถึงการออกแบบผลิตภัณฑ์ที่ง่ายต่อการใช้งาน ให้ความสนุกสนานขณะใช้เครื่อง และยังให้ผู้ใช้มีเวลาเหลือและอิสระไปกับความรื่นรมย์ในยุคศตวรรษที่ 21 อีเลคโทรลักซ์ได้มอบความสะดวสบายใจอย่างยั่งยืนให้กับผู้บริโภค ให้ความมุ่งมั่นที่จะมอบความสะดวสบายที่ยิ่งกว่าให้กับผู้บริโภคมากยิ่งขึ้น ในทุกๆ ช่วงเวลาของพวกเขา ในทุกๆ วัน และให้กับผู้บริโภคในทั่วทุกมุมโลก

“Thinking of You” คือคำสัญญาจากอีเลคโทรลักซ์ที่เป็นมากกว่าการสร้างสรรคผลิตภัณฑ์ที่ตรงใจผู้บริโภคในปัจจุบัน แต่ยังมีคามหมายว่าอีเลคโทรลักซ์ให้คำมั่นที่จะสร้างสรรคผลิตภัณฑ์ที่เป็นมิตรต่อสิ่งแวดล้อมสำหรับโลกในวันนี้ และในอนาคตสืบต่อไป

อีเลคโทรลักซ์ เพราะเราไม่หยุดคิด เพื่อชีวิตคุณ

Electrolux. Thinking of you.

มีสิ่งดีๆ ที่เราคิดเพื่อคุณอีกมากที่ www.electrolux.co.th

CHÚNG TÔI LUÔN NGHĨ VỀ KHÁCH HÀNG

Xin trân trọng cảm ơn quý khách đã chọn mua sản phẩm của Electrolux. Quý khách đã lựa chọn một sản phẩm là kết tinh của nhiều thập kỷ không ngừng sáng tạo và đức kết kinh nghiệm của chúng tôi. Một cách khéo léo và thời trang, thiết kế của sản phẩm này luôn hướng tới sự hài lòng của quý khách. Vì thế, mỗi khi sử dụng sản phẩm, quý khách có thể yên tâm rằng sản phẩm mà quý khách đang sử dụng luôn mang lại hiệu quả cao nhất tại bất kỳ thời điểm nào.

Chào mừng quý khách đến với Electrolux.

TRƯỚC KHI SỬ DỤNG THIẾT BỊ

Trước khi sử dụng máy hút mùi, chúng tôi khuyến cáo quý khách hàng đọc qua một lượt toàn bộ sách hướng dẫn sử dụng để nắm được cấu trúc cũng như các chức năng của sản phẩm. Để phòng tránh các mối nguy hiểm luôn tiềm tàng khi sử dụng thiết bị điện, quý khách cần lắp đặt thiết bị điện theo đúng các hướng dẫn và đọc kỹ các chỉ dẫn an toàn để tránh sử dụng không đúng cách gây nguy hiểm.

Xin vui lòng giữ sách hướng dẫn sử dụng ở nơi an toàn để tiện cho những tham khảo về sau.

ĐIỀU KIỆN SỬ DỤNG

Thiết bị này được thiết kế để sử dụng trong hộ gia đình và những nơi tương tự, như:

- Khu vực bếp ăn nhân viên ở các cửa hàng, văn phòng và các môi trường làm việc khác.
- Nhà ở khu vực nông trại.

Bởi khách trong các khách sạn, nhà nghỉ và các kiểu nhà trọ khác.

- Kiểu nhà nghỉ có phục vụ bữa sáng.

TRƯỚC KHI GỌI CHO CHÚNG TÔI

Hãy đảm bảo rằng quý khách đã đọc hết sách hướng dẫn sử dụng trước khi gọi cho Trung tâm Dịch vụ Khách hàng, nếu không quý khách có thể bị tính phí dịch vụ.

VUI LÒNG GHI LẠI MẪU MÁY VÀ SỐ SERI TẠY ĐÂY:

Mẫu máy: _____

Số seri: _____

MỤC LỤC

- 51 Thông tin an toàn
- 52 Mô tả sản phẩm
- 53 Kích thước
- 54 Lắp đặt máy hút mùi
- 57 Sử dụng máy hút mùi
- 58 Bảo trì và vệ sinh sản phẩm
- 59 Khắc phục sự cố
- 60 Trung tâm Dịch vụ Khách hàng

CÁC KÝ HIỆU

⚠ CẢNH BÁO!

Ký hiệu này biểu thị thông tin liên quan tới sự an toàn của quý khách.

⚠ THẬN TRỌNG!

Ký hiệu này biểu thị thông tin về cách tránh làm hư hại máy hút mùi.

i QUAN TRỌNG!

Ký hiệu này biểu thị những mẹo vặt và thông tin về cách sử dụng máy hút mùi.

🌿 THÔNG TIN MÔI TRƯỜNG!

Ký hiệu này biểu thị những mẹo vặt và thông tin về cách sử dụng máy hút mùi tiết kiệm và bảo vệ môi trường.

RoHS Compliant.

Nếu quý khách muốn vứt bỏ sản phẩm này trong tương lai, vui lòng KHÔNG vứt bỏ cùng rác thải sinh hoạt. Hãy thải loại thiết bị ở nơi tập kết phế thải của địa phương nếu có thể.

Sản phẩm này tuân thủ quy định về Hạn chế vật chất nguy hiểm RoHS.

THÔNG TIN AN TOÀN

Cuốn sách hướng dẫn sử dụng này hướng dẫn quý khách sử dụng máy hút mùi Electrolux đúng cách. Vui lòng đọc kỹ sách hướng dẫn này trước khi sử dụng sản phẩm và cất giữ sách ở nơi an toàn để tiện cho những tham khảo về sau.

Chiếc máy hút mùi này là một thiết bị gia dụng được sản xuất và kiểm tra tuân thủ theo Tiêu chuẩn Quốc tế IEC 60335.2.31.

Xin quý khách vui lòng đọc kỹ những dòng dưới đây để tránh những hỏng hóc và hư hại không đáng có.

- ⚠ Ký hiệu này nghĩa là không bao giờ làm điều này.
- ✔ Ký hiệu này có nghĩa là luôn làm điều này.

⚠ CẢNH BÁO!

Vui lòng làm theo những chỉ dẫn dưới đây để tránh gây chập điện hoặc cháy nổ.

✔	Cần trông chừng trẻ nhỏ để các bé không đùa nghịch với máy hút mùi.
⚠	Thiết bị này KHÔNG được thiết kế cho những người (kể cả trẻ em) bị hạn chế về khả năng thể chất, cảm giác hoặc trí óc, hoặc ít kinh nghiệm và kiến thức, trừ khi họ được trông nom hoặc hướng dẫn cách sử dụng sản phẩm bởi người chịu trách nhiệm cho an toàn của họ.
✔	Đảm bảo rằng máy hút mùi đã được ngắt điện trước khi tiến hành việc bảo trì để tránh mọi khả năng gây chập điện.
⚠	Không nấu đồ ăn bốc lửa dưới máy hút mùi.
⚠	Không nên sử dụng máy hút mùi khi nước barbecue.
⚠	Máy hút mùi này không sử dụng được ở ngoài trời.
✔	Cần thay tấm lọc dầu mỡ ít nhất 4 tuần 1 lần để giảm thiểu nguy cơ gây cháy.
⚠	Không được kết nối ống thoát khí với ống khói riêng của các thiết bị khác vì chúng có thể chứa các sản phẩm cháy. (Hình 1)
⚠	Không được thoát khí ra khoảng trống trống, trừ khi khoảng trống đó được thiết kế để dẫn khí.
✔	Cần có biện pháp thông gió thích hợp cho phòng khi máy hút mùi được sử dụng cùng lúc với các thiết bị đốt gas hay các nhiên liệu khác.
✔	Luôn luôn đảm bảo có nồi đặt trên bếp gas đang hoạt động khi sử dụng máy hút mùi.
✔	Luôn luôn tắt bếp gas trước khi nhấc nồi ra khỏi bếp.
⚠	Không để bếp gas hoạt động không có nồi trên bếp khi sử dụng máy hút mùi để phòng tránh nguy cơ cháy. (Hình 2)

Nối điện

Kiểm tra điện áp của nguồn điện có phù hợp với điện áp được ghi trên bảng ghi thông số kỹ thuật bên trong máy hút mùi. Kiểm tra việc lắp đặt thiết bị có tuân thủ theo các tiêu chuẩn về nhà ở, gas và điện của chính quyền địa phương không. Trước khi kết nối thiết bị với nguồn điện chính cần đảm bảo điện áp của nguồn điện phù hợp với điện áp được ghi trên bảng ghi thông số kỹ thuật bên trong máy hút mùi. Nếu dây nguồn bị hỏng, cần thay dây nguồn. Việc thay thế phải được thực hiện bởi nhà sản xuất, Trung tâm Dịch vụ Khách hàng hoặc những người có trình độ chuyên môn tương đương để tránh nguy hiểm tiềm tàng.

Cảnh báo an toàn – Dành cho người lắp đặt

Việc lắp đặt máy hút mùi cần tuân thủ những quy định về khoảng cách tối đa và tối thiểu giữa máy hút mùi và bề mặt bếp (được liệt kê ở bảng trang 6).

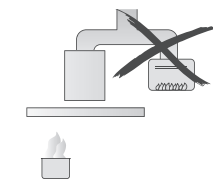
Lắp đặt ống thoát khí: Quý khách cần tuân thủ nghiêm ngặt những quy định sau để đạt được sự thoát khí tối ưu nhất.

- Giữ ống thoát khí ngắn và thẳng.
- Không chặn hoặc làm giảm kích thước của ống thoát khí.
- Giảm tối thiểu các chỗ uốn khúc của ống thoát khí.
- Khi sử dụng ống thoát khí linh hoạt cần chú ý kéo căng các vòng xoắn của ống thoát để giảm thiểu tối đa sự giảm áp trong quá trình thoát khí.
- Việc không tuân thủ những hướng dẫn cơ bản trên sẽ làm giảm hiệu suất một cách nghiêm trọng và làm tăng tiếng ồn của máy hút mùi.

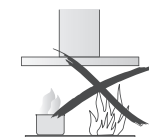
Không được thoát khí ra khoảng trống trống, trừ khi khoảng trống đó được thiết kế để dẫn khí. Không được kết nối ống thoát khí với ống khói riêng của các thiết bị khác vì chúng có thể chứa các sản phẩm cháy.

LƯU Ý: Sử dụng kéo cắt thiếc hoặc lưỡi cưa sắc nhọn để cắt ngắn nắp ống thoát khí cho phù hợp với kích thước trong một số trường hợp. Chú ý tránh làm méo hoặc mẻ nắp ống thoát khí.

CẢNH BÁO!

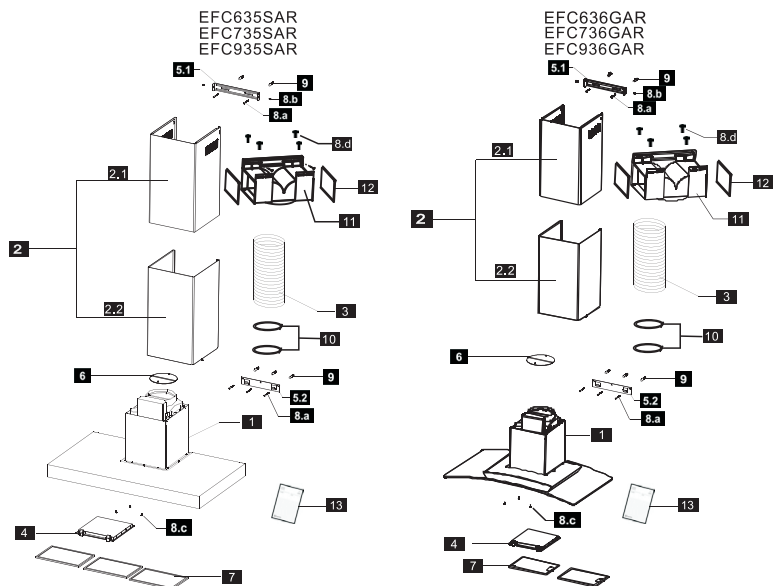


Hình 1



Hình 2

MÔ TẢ SẢN PHẨM



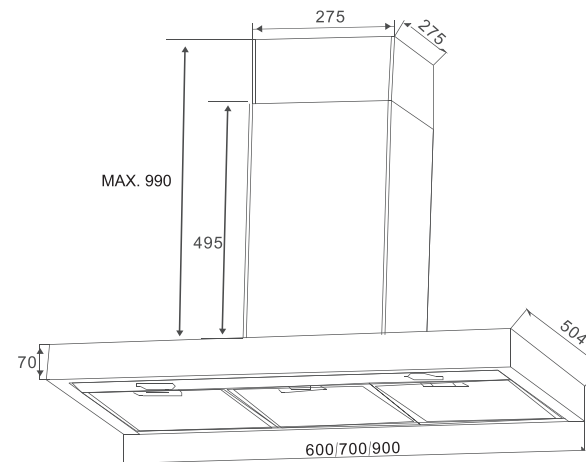
Hình 3

CÁC BỘ PHẬN

STT	Số lượng	Các bộ phận của sản phẩm
1	1 chiếc	Thân máy hút mùi hoàn chỉnh với bảng điều khiển, đèn và ống thoát khí
2	1 bộ	Các phần của bao ống thoát khí
2.1	1 chiếc	Bao ống thoát khí bên trong
2.2	1 chiếc	Bao ống thoát khí bên ngoài
3	1 chiếc	Ống thoát khí chuyển tiếp bằng nhôm
4	1 chiếc	Tấm lọc than hoạt tính (Tùy chọn)
5.1	1 chiếc	Giá đỡ gắn tường bao ống thoát khí
5.2	1 chiếc	Giá đỡ gắn tường máy hút mùi
6	1 bộ	Bộ phận giảm âm (bộ phận chống rung)
7	2/3 chiếc	Tấm lọc nhôm
8.a	7 chiếc	Đinh vít gắn tường (ST 5 X 50MM)
8.b	2 chiếc	Đinh vít gắn tường của giá đỡ bao ống thoát khí (M4 X 10 MM)
8.c	3 chiếc	Đinh vít cố định đáy của ống thoát khí (ST 4 X10 MM)
8.d	4 chiếc	Vít cố định miếng chữ T của chế độ tuần hoàn
9	7 chiếc	Móc treo tường
10	2 chiếc	Dây rút ống thông khí
11	1 bộ	Bộ phận thông khí tuần hoàn chữ T
12	2 chiếc	Miếng ốp chữ T
13	1 chiếc	Sách hướng dẫn sử dụng

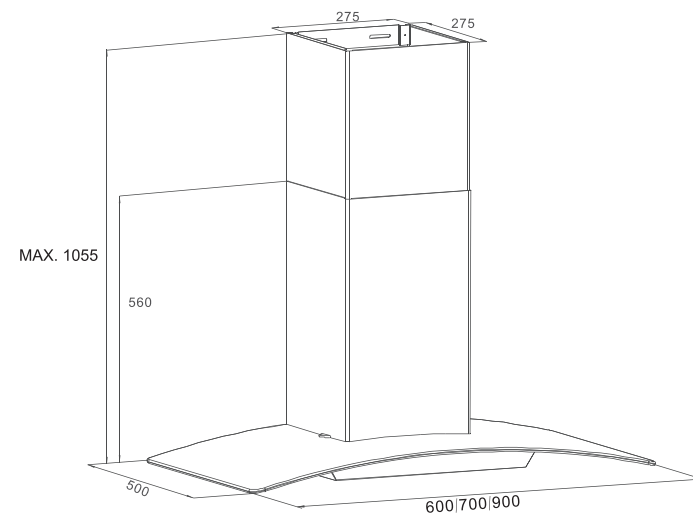
KÍCH THƯỚC

EFC935SAR
EFC735SAR
EFC635SAR



Hình 4

EFC936GAR
EFC736GAR
EFC636GAR



LẮP ĐẶT MÁY HÚT MÙI



CẢNH BÁO!

Vui lòng tham khảo mục “Thông tin an toàn”.



TRƯỚC KHI LẮP ĐẶT

Trước khi lắp đặt thiết bị, xin quý khách vui lòng ghi lại những thông tin bên dưới từ bảng ghi thông số kỹ thuật. Bảng ghi thông số kỹ thuật nằm ở đáy của khoang máy.

Mẫu máy: _____

PNC: _____

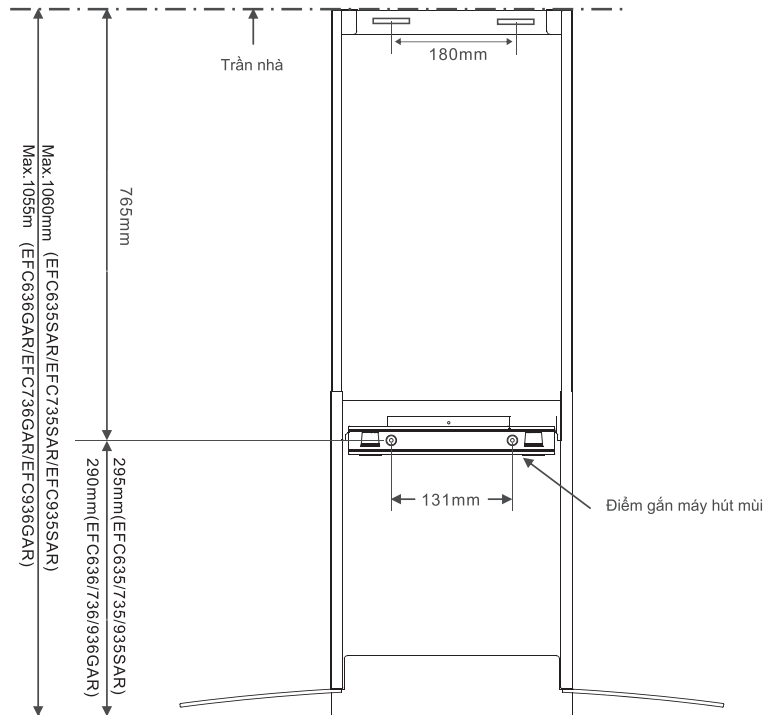
Số seri: _____

1. Sử dụng dây dọi kẻ một đường thẳng đứng trên tường chính giữa vị trí đặt máy hút mùi, và kẻ một đường nằm ngang ở vị trí đáy của máy hút mùi (tham khảo biểu đồ bên dưới).

LƯU Ý: Khoảng cách tối thiểu giữa đáy của máy và mặt bếp là 650mm* và tối đa là 800mm.

*Nếu hướng dẫn sử dụng bếp chỉ rõ khoảng cách tối thiểu lớn hơn khoảng cách được nêu trên thì đó là khoảng cách tối thiểu để lắp đặt thiết bị.

2. Đánh dấu vị trí giá đỡ gắn trần, các điểm treo máy hút mùi và các chốt chống nghiêng bên trên thân máy hút mùi, sử dụng thân máy hút mùi làm điểm tham chiếu. (Hình 6)



Loại bếp	Khoảng cách A	
	Tối thiểu*	Tối đa
Bếp gas	650mm	00mm
Bếp điện	650mm	00mm



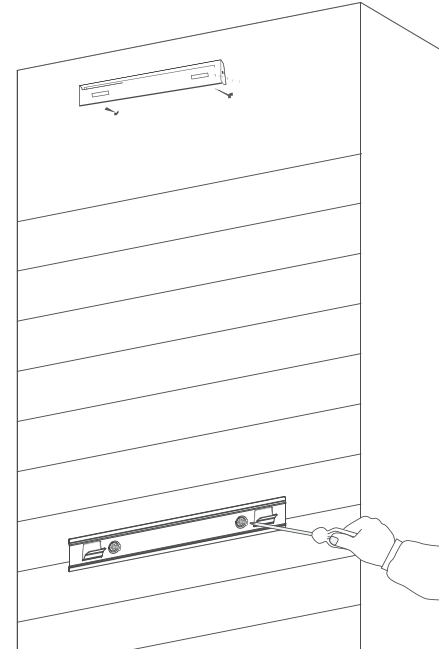
CẢNH BÁO!

Việc không tuân thủ những chỉ dẫn trên khi lắp đặt hoặc sửa chữa thiết bị có thể dẫn tới những nguy hiểm về điện.

Hình 6

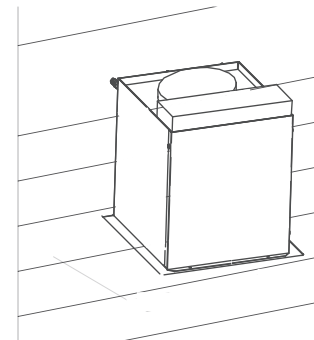
LẮP ĐẶT MÁY HÚT MÙI (TIẾP THEO)

3. Lắp đặt giá đỡ nắp ống thoát khí gắn tường bằng đinh vít vào tường như đã đánh dấu (Hình 7). Vui lòng treo bộ phận thông khí tuần hoàn chữ T cùng giá đỡ nắp ống thoát khí nếu sử dụng chế độ thông khí tuần hoàn (Hình 9).



Hình 7

4. Gỡ bỏ màng bọc nhựa bảo vệ nếu có ở thân máy hút mùi và treo thân máy lên giá đỡ gắn tường.



Hình 8

Lựa chọn cách lắp đặt/dẫn ống phù hợp, xin quý khách vui lòng làm theo bước 5a hoặc 5b bên dưới.

5a. Chế độ thông khí tuần hoàn (Hình 9).

Sử dụng dây chính giữa, gắn chặt bộ phận thông khí tuần hoàn chữ T và giá đỡ ống thông khói vào tường. Lắp đặt ống thoát khí linh hoạt giữa bộ phận chữ T và ống thoát khí chuyển tiếp. Sử dụng dây rút để gắn chặt ống thoát khí linh hoạt với bộ phận chữ T và ống thoát khí chuyển tiếp (Hình 11).

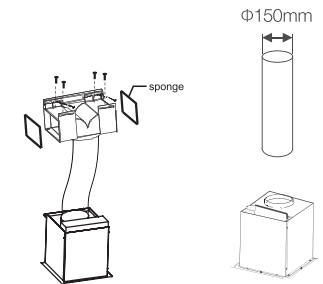
LƯU Ý: Khi lắp đặt ở chế độ thông khí tuần hoàn, chúng tôi khuyến cáo quý khách nên sử dụng tấm lọc carbon để tránh mùi nếu bị thổi ngược lại phòng.

5b. Chế độ sử dụng ống thông khói (Hình 10)

Lắp ống thoát khí linh hoạt với ống thoát khí chuyển tiếp (Hình 10). Sử dụng dây rút để gắn chặt ống thoát khí linh hoạt với ống thoát khí chuyển tiếp.

LƯU Ý: Ở chế độ sử dụng ống thông khói, chúng tôi khuyến cáo quý khách nên kéo dài ống thoát khí qua mái nhà tới phần bên ngoài của “mái vòm” để dẫn khí ra bên ngoài. Chúng tôi không khuyến khích quý khách dẫn khí thoát ra khoang trống ở trần nhà.

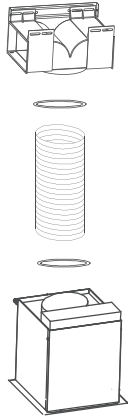
LƯU Ý: Để đảm bảo hiệu năng tối ưu của máy hút mùi, chúng tôi khuyến khích quý khách sử dụng ống thoát khí cứng và tránh uốn cong. Tất cả các ống thoát khí phải làm từ vật liệu chống cháy.



Hình 9

Hình 10

LẮP ĐẶT MÁY HÚT MÙI (TIẾP THEO)



Hình 11

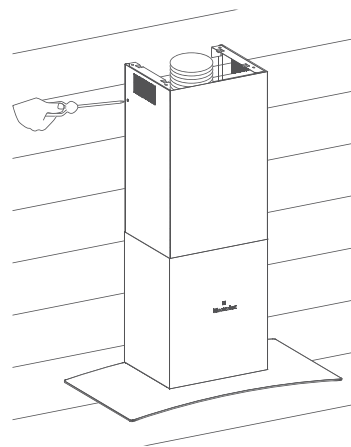
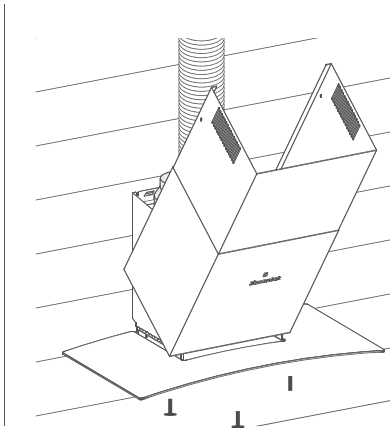
6. Nối điện (chưa xong)

- Việc đi dây điện phải được thực hiện bởi người có chuyên môn kỹ thuật và phải tuân thủ tất cả những tiêu chuẩn và quy tắc thích hợp. Ngắt điện trước khi thực hiện đi dây.
- Nếu dây điện bị hư hại, dây điện phải được thay thế bởi nhà sản xuất, đại lý của nhà sản xuất hoặc những người có trình độ chuyên môn tương tự để tránh nguy hiểm tiềm tàng.
- Không sử dụng phích cắm và dây nối dài khác ngoài phích cắm và dây nối dài được cung cấp kèm với máy hút mùi.
- Việc nối đất đối với máy hút mùi là bắt buộc. Không được tháo bỏ chân cắm nối đất của phích cắm.

7. Lắp đặt hệ thống bao ống thoát khí lồng nhau

Tách rời phần bên trong và bên ngoài của bao ống thoát khí rồi cẩn thận ghép lại phần trên và phần dưới bao ống thoát khí bằng cách trượt phần bên trong vào trong phần bên ngoài. Cố định phần bên ngoài bao ống thoát khí bằng đinh vít (Hình 12). Cẩn thận hạ thấp phần bao ống thoát khí vừa ghép xuống thân máy hút mùi và gài bao ống thoát khí vào thân máy hút mùi. Gắn phần bên trên bao ống thoát khí vào giá đỡ gắn tường bằng đinh vít kèm theo.
Đảm bảo rằng phần bên trên đã được kéo dài ra.

LƯU Ý: Cẩn thận gỡ bỏ lớp bọc nhựa bảo vệ bao ống thoát khí nếu có. Đặc biệt chú ý khi gỡ bỏ lớp bọc nhựa bảo vệ từ dễ can.



Hình 12

Chiếc máy hút mùi Electrolux của quý khách đã sẵn sàng để sử dụng.

SỬ DỤNG MÁY HÚT MÙI

EFC935SAR EFC936GAR
EFC635SAR EFC636GAR



EFC735SAR EFC736GAR



Chế độ chờ

Trong lần đầu tiên kết nối máy hút mùi với nguồn cấp điện hoặc khi có điện trở lại sau khi mất điện, tất cả các kí hiệu trên bảng điều khiển sẽ sáng và máy sẽ phát ra một tiếng "bíp". Sau đó, bảng điều khiển sẽ chuyển sang chế độ chờ và máy hút mùi sẽ sẵn sàng để hoạt động.

Bật máy

Khi máy hút mùi đang ở chế độ chờ, người sử dụng có thể ấn một trong 2 nút (Hình) hoặc (Hình) để bật quạt hoặc bật đèn tách biệt nhau. Mức mặc định của nhà sản xuất là mức 2, sau đó, máy hút mùi sẽ tiếp tục hoạt động ở mức đã được lựa chọn ở lần sử dụng trước và sẽ khởi động ở mức đó khi người sử dụng ấn nút quạt hoặc đèn.

Quạt – Lựa chọn tốc độ phù hợp với tình trạng nấu

☞(☉) – Bật/Tắt quạt

1 (☞) – Rán/luộc khối lượng ít

2 (☞) – Rán/nấu đồ ăn trong chảo/luộc khối lượng nhiều

3 (☞) – Nướng, rán kỹ và nấu đồ ăn trong chảo

☞ – Đèn

VỆ SINH VÀ BẢO TRÌ

⚠ THẬN TRỌNG!

- Trước khi tiến hành bảo trì hoặc vệ sinh máy hút mùi cần ngắt điện từ nguồn điện. Đảm bảo rằng máy hút mùi đã được tắt và phích cắm điện được tháo ra khỏi ổ điện.
- Các bề mặt bên ngoài rất dễ bị trầy xước, vì vậy vui lòng làm theo những chỉ dẫn vệ sinh dưới đây để đạt được kết quả tốt nhất mà không gây hư hại đến thiết bị.
- Cần tuân thủ những chỉ dẫn dưới đây để tránh nguy cơ cháy.

Bề mặt thép không gỉ

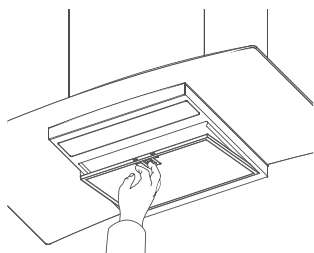
Sử dụng các sản phẩm tẩy rửa không có chất mài mòn và chuyên dụng cho thép không gỉ để vệ sinh bề mặt thép không gỉ. Để đạt được kết quả tốt nhất, khi vệ sinh chú ý sử dụng lực đều đặn lau dọc theo vân thép. Sử dụng vải mềm để tránh gây xước. Nếu sử dụng vải ướt cần lau khô bề mặt một lần nữa bằng vải khô để tránh bề mặt bị gỉ.

Bề mặt bằng điều khiển

Có thể sử dụng nước giặt ấm để vệ sinh bằng điều khiển. Vắt khô mảnh vải dùng để lau chùi trước khi tiến hành vệ sinh. Sử dụng một mảnh vải khô mềm để lau hết hơi ẩm còn sót lại sau khi vệ sinh.

Tháo rời các tấm lọc dầu mỡ làm bằng kim loại

Đẩy tấm lọc dầu mỡ về bên trái thiết bị và kéo xuống.



Vệ sinh bằng tay

Các lưới lọc có thể được làm sạch bằng tay trong nước giặt ấm. Nhúng lưới lọc vào nước ấm có pha chất tẩy rửa. Sử dụng bàn chải nhựa mềm để loại bỏ các vết bẩn dầu mỡ cứng đầu. Sau khi rửa sạch cần đảm bảo các tấm lọc hoàn toàn khô ráo trước khi lắp lại vào máy hút mùi.

Dùng máy rửa chén đĩa

Đặt các tấm lọc dầu mỡ vào máy rửa chén đĩa. Lựa chọn chương trình rửa mạnh nhất và nhiệt độ nước cao nhất, thấp nhất là 65°C. Lập lại quy trình. Khi các tấm lọc dầu mỡ đã khô, lắp chúng lại vào máy hút mùi. Việc vệ sinh tấm lọc dầu mỡ làm từ kim loại trong máy rửa chén đĩa có thể khiến tấm lọc bị phai màu một chút. Điều đó không ảnh hưởng tới hiệu năng của thiết bị.

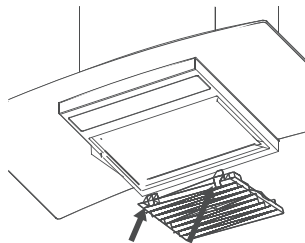
Thay đèn

Loại đèn sử dụng là đèn LED có tuổi thọ cao và không yêu cầu thay định kỳ. Nếu có vấn đề về đèn, quý khách vui lòng liên hệ với Trung tâm Dịch vụ Khách hàng. Chi tiết về địa chỉ liên hệ Trung tâm Dịch vụ Khách hàng được ghi rõ ở trang 60.

Bề mặt thép không gỉ

- Tấm lọc than hoạt tính chỉ cần sử dụng khi quý khách lựa chọn chế độ thông khí tuần hoàn cho máy hút mùi của mình.
- Bộ lọc than hoạt tính này không thể vệ sinh hoặc tái sử dụng theo nguyên tắc chung, nên thay thế bộ lọc than hoạt tính vào mỗi 3 tháng.

Cách tháo rời hoặc lắp tấm lọc than hoạt tính được trình bày ở dưới đây.



- Luôn nêu rõ mẫu máy hút mùi và số seri khi yêu cầu tấm lọc thay thế. Những thông tin trên được trình bày ở bảng thông số nằm bên trong thiết bị.
- Quý khách có thể yêu cầu tấm lọc than hoạt tính thay thế tại các đại lý ở địa phương. Chi tiết về địa chỉ liên hệ được ghi rõ ở trang 60.

KHẮC PHỤC SỰ CỐ

Vấn đề	Cách khắc phục
Máy hút mùi không khởi động	Kiểm tra xem máy hút mùi đã được kết nối với nguồn điện chưa. Kiểm tra xem đã lựa chọn tốc độ quạt chưa.
Máy hút mùi không làm việc	Kiểm tra xem tốc độ quạt có đủ lớn với khối lượng công việc hay không. Các tấm lọc dầu mỡ sạch. Nhà bếp có thông khí đủ để dẫn không khí sạch vào phòng. Nếu lắp đặt chế độ thông khí tuần hoàn, kiểm tra tấm lọc than hoạt tính vẫn có tác dụng. Nếu lắp đặt chế độ thoát khí ra ngoài, kiểm tra các ống thoát khí và đường dẫn không bị chặn. Không được vận hành bếp mà không có nồi nấu ở trên. Không được đốt lửa sát bên dưới máy hút mùi.
Máy hút mùi tự động ngắt trong quá trình vận hành	Thiết bị ngắt điện an toàn đã được kích hoạt – Tắt bếp và đợi thiết bị khởi động lại. Nếu máy hút mùi được lắp đặt thấp hơn độ cao được ghi rõ trong hướng dẫn lắp đặt, động cơ sẽ ngưng hoạt động thường xuyên. Điều này sẽ gây hỏng hóc tới máy hút mùi.

Nếu quý khách đã tiến hành toàn bộ những kiểm tra trên và vẫn gặp khó khăn, xin vui lòng liên hệ Trung tâm Dịch vụ Khách hàng của Electrolux tại địa phương.

LƯU Ý: Sản phẩm được lắp kèm với một thiết bị ngắt điện an toàn.

- Nếu máy hút mùi được lắp đặt quá gần với mặt bếp, những đồ nấu bốc lửa, vận hành bếp không có nồi nấu ở trên và tấm lọc bị tắc nghẽn, thiết bị ngắt điện an toàn có thể được kích hoạt. Nếu máy hút mùi ngừng hoạt động, điều chỉnh các vấn đề trên và chờ cho thiết bị ngắt điện an toàn khởi động lại, máy hút mùi sẽ hoạt động bình thường.

- Không vận hành bếp mà không có nồi nấu ở trên.

- Không đốt lửa sát bên dưới máy hút mùi.

TRUNG TÂM DỊCH VỤ KHÁCH HÀNG

<p>Thailand Call Center Tel: (+66 2) 725 9000 Electrolux Thailand Co., Ltd. Electrolux Building 14th Floor 1910 New Petchburi Road, Bangkapi, Huay Kwang, Bangkok 10310 Office Tel: (+66 2) 7259100 Office Fax: (66 2) 7259299 Email: customercaresin@electrolux.com</p>	<p>Singapore CONSUMER CARE HOTLINE : (+65) 6727 3699 Electrolux S.E.A. Pte Ltd. 1 Fusionopolis Place, #07-10 Galaxis, West Lobby Singapore 138522. Office Fax : (+65) 67273611 Email : customer-care.sin@electrolux.com</p>
<p>Indonesia Hotline service: 08041119999 PT. Electrolux Indonesia Electrolux Building Jl.Abdul Muis No.34, Petojo Selatan, Gambir Jakarta Pusat 10160 Email:customercaresin@electrolux.co.id SMS & WA : 0812.8088.8863</p>	<p>Philippines Domestic Toll Free: 1-800-10-845-care 2273 Customer Care Hotline: (+63 2) 845 care 2273 Electrolux Philippines, Inc. 10th Floor, W5th Avenue Building 5th Avenue Corner 32nd Street Bonifacio Global City, Taguig Philippines 1634 Trunkline: +63 2 737-4756 Website: www.electrolux.com.ph Email: wecare@electrolux.com</p>
<p>Việt Nam Trung tâm Dịch vụ Khách hàng (miễn phí): 1800-58-88-99 Điện thoại: (+84 8) 3910 5465 Công ty TNHH Electrolux Vietnam Tòa nhà A&B, tầng 9 Số 76 đường Lê Lai – phường Bến Thành - quận 1 - Thành phố Hồ Chí Minh, Việt Nam Điện thoại: (+84 4) 391 5465 Fax: (+84 8) 3910 5470 Email: vncare@electrolux.com</p>	<p>Malaysia Domestic Toll Free: 1300-88-11-22 Electrolux Home Appliances Sdn. Bhd.</p> <p>Corporate Office Address: 7th Floor, Tower 2, Jaya 33, No. 3 Jalan Semangat, Seksyen 13, 46100 Petaling Jaya, Selangor. Corporate Office Tel: (+60 3) 7843 5999 Corporate Office Fax: (+60 3) 7955 5511</p> <p>Consumer Care Center Address: Lot C6, No. 28, Jalan 15/22, Taman Perindustrian Tiong Nam, 40200 Shah Alam, Selangor Consumer Care Center Tel:(+60 3) 5525 0800 Consumer Care Center Fax:(+60 3) 5524 2521 Email: malaysia.customercaresin@electrolux.com</p>
<p>Hongkong Tel: (+852) 8203 0298 Dah Chong Hong, Ltd. – Service Centre 8/F., Yee Lim Godown Block C 2-28 Kwai Lok Street, Kwai Chung, N.T. Hong Kong</p>	

The Thoughtful Design Innovator.

Bạn có nhớ lần gần đây nhất mình nhận được một món quà khiến bạn phải thốt lên “Ồi chào! Làm thế nào cậu biết được thế? Đây đúng là thứ mình cần!” Đó chính là thứ cảm xúc mà những nhà thiết kế của Electrolux muốn gợi lên nơi những khách hàng đã chọn lựa hoặc sử dụng bất kỳ sản phẩm nào của chúng tôi. Chúng tôi cố gắng hiến thời gian, hiểu biết cũng như rất nhiều trăn trở nhằm dự đoán và tạo ra các thiết bị mà các khách hàng của chúng tôi thực sự muốn và cần có.

Sự quan tâm sâu sắc này cũng đồng nghĩa với việc cải tiến với tầm nhìn thấu suốt. Không phải thiết kế vị thiết kế, mà phải là thiết kế vị khách hàng. Đối với chúng tôi, những thiết kế sâu sắc có nghĩa tạo ra những thiết bị để sử dụng và tạo nên sự thích thú cho khách hàng khi vận hành, tạo điều kiện cho khách hàng tận hưởng mọi sự dễ chịu và xa hoa của thế kỷ 21. Mục tiêu của chúng tôi là mang đến cảm giác thoải mái này đến với nhiều người hơn nữa, trong nhiều lãnh vực hơn nữa của cuộc sống thường ngày trên toàn thế giới. Vì vậy, khi chúng tôi nói rằng chúng tôi đang nghĩ cho bạn, những khách hàng của Electrolux, bạn hiểu đó là lời nói thành tâm của chúng tôi.

Cam kết “luôn quan tâm đến khách hàng” của Electrolux không dừng lại ở việc đáp ứng nhu cầu hiện tại của quý khách hàng, mà còn là sự cam kết tạo ra các sản phẩm thân thiện với môi trường – cho hiện tại và cho thế hệ mai sau.

Electrolux. Thinking of you.